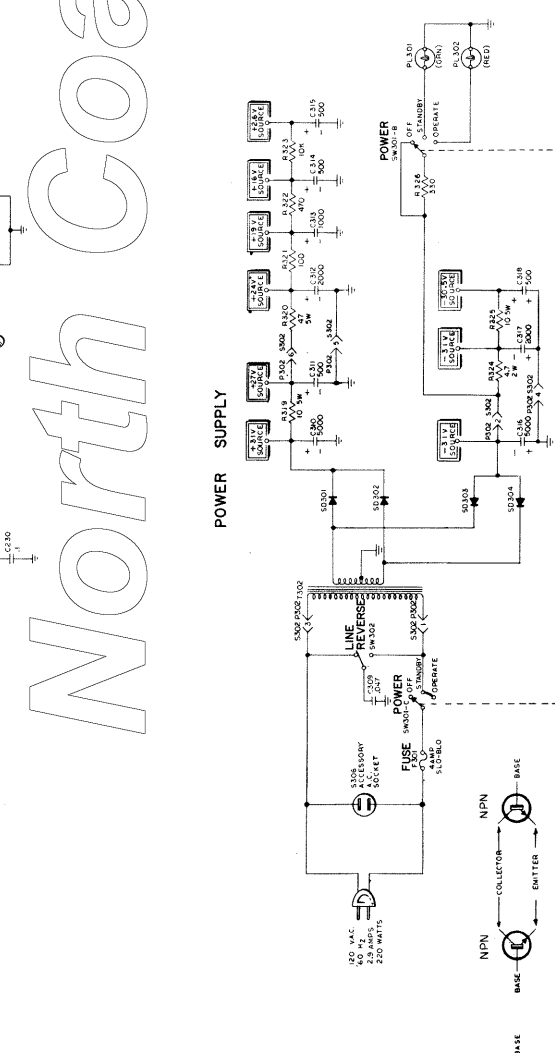
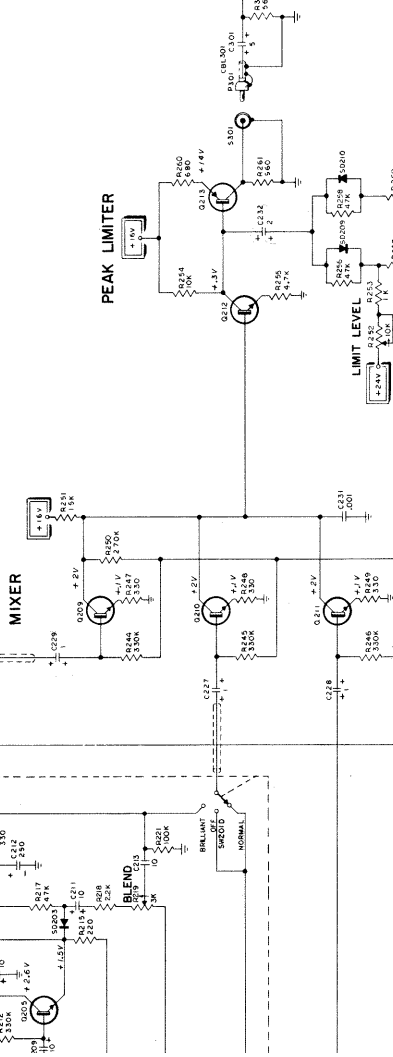
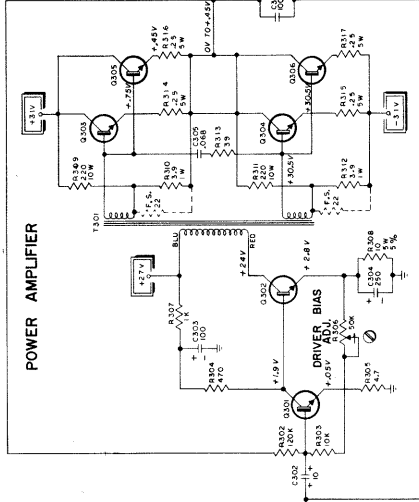
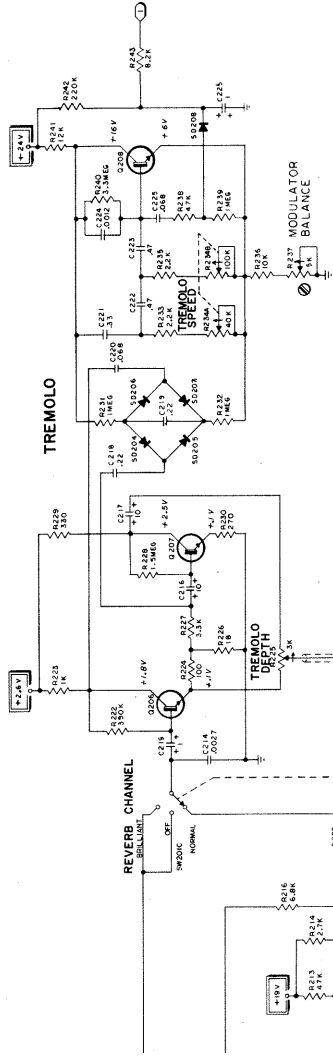


- Q101-Q106-Q107-Q111-Q112
- Q102-Q108-Q113
- Q103-Q104-Q114
- Q105-Q109
- Q110
- Q201-Q205 Thru Q212
- Q202
- Q203
- Q204-Q213
- Q301
- Q302
- Q303 Thru Q306

- 86-5095-2 Transistor (FET)
- 86-5064-2 Transistor (Blue)
- 86-5044-2 Transistor (Green/Yellow)
- 86-5098-2 Transistor (FET Channel)
- 86-5052-2 Transistor (Unijunction)
- 86-5044-2 Transistor (Green)
- 86-5051-2 Transistor ("G")
- 86-5075-2 Transistor ("G")
- 86-5064-2 Transistor (Blue)
- 86-5044-2 Transistor (Yellow)
- 86-5085-2 Transistor (Driver)
- 86-5083-2 Transistor (Output)

BLOCK 300



North Coast Music

GENERAL INFORMATION

This symbol denotes the direction of audio signal flow through the circuitry. The symbol also indicates the polarity of the signal. The symbol "vector" which denotes the origin of the reference potential.

Three symbols here represent the amplifier channel ground.

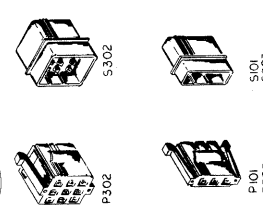
Arrows indicate the direction of audio signal flow through the circuitry. This symbol denotes the direction of audio signal flow through the circuitry. The symbol also indicates the polarity of the signal. The symbol "vector" which denotes the origin of the reference potential.

1. All operations to be done are indicated by the symbol.

2. All operations to be done are indicated by the symbol.

3. All operations to be done are indicated by the symbol.

4. Arrows denote the direction of audio signal flow through the circuitry.



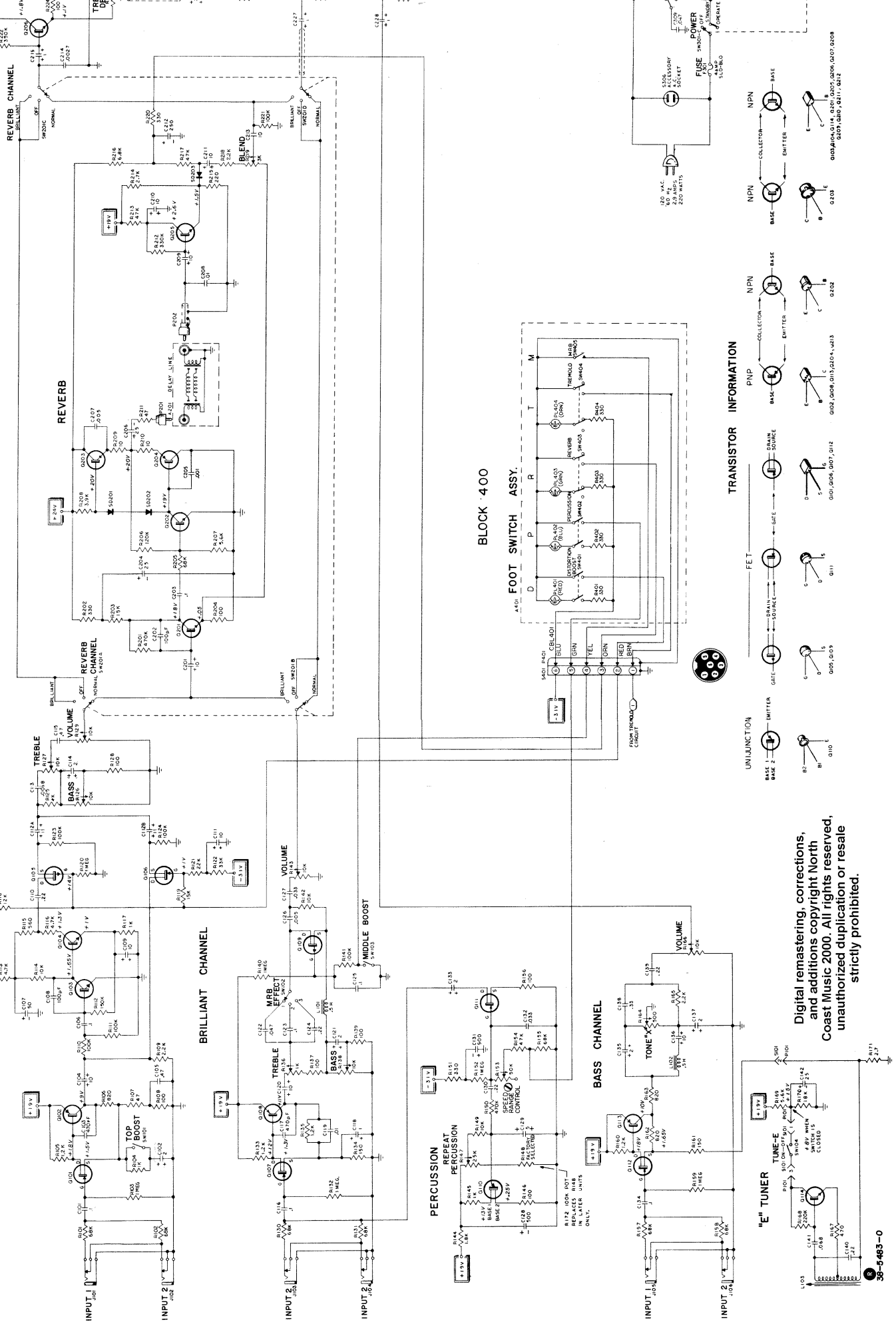
Digital remastering, corrections, and additions copyright North Coast Music 2000. All rights reserved, unauthorized duplication or resale strictly prohibited.



North Coast Music

Block 100
NORMAL CHANNEL

Block 200



Digital remastering, corrections, and additions copyright North Coast Music 2000. All rights reserved. Unauthorized duplication or resale strictly prohibited.