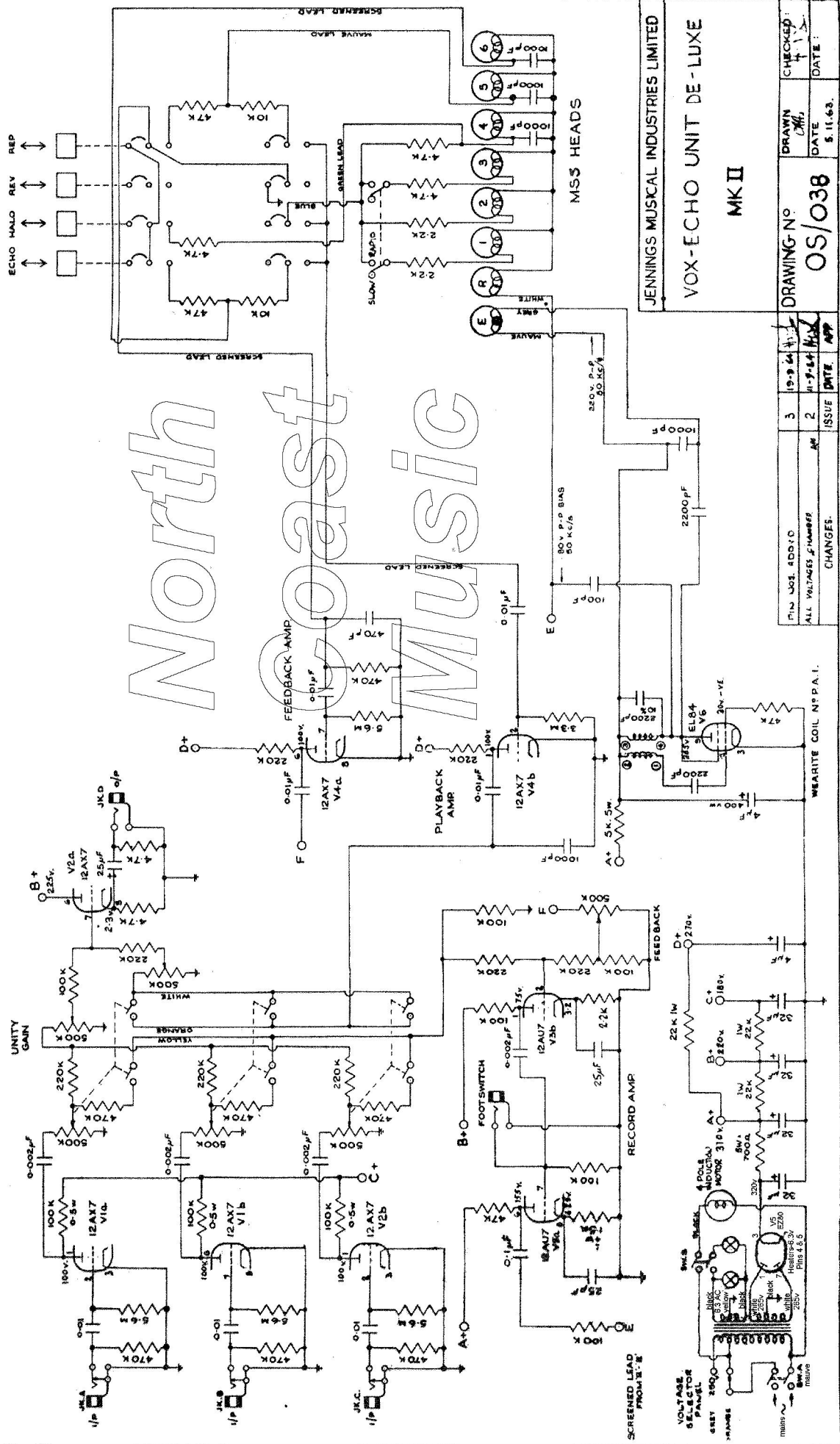


Digital remastering, corrections, and clarifications copyright 2000 North Coast Music. All rights reserved, no unauthorized duplication or resale allowed.

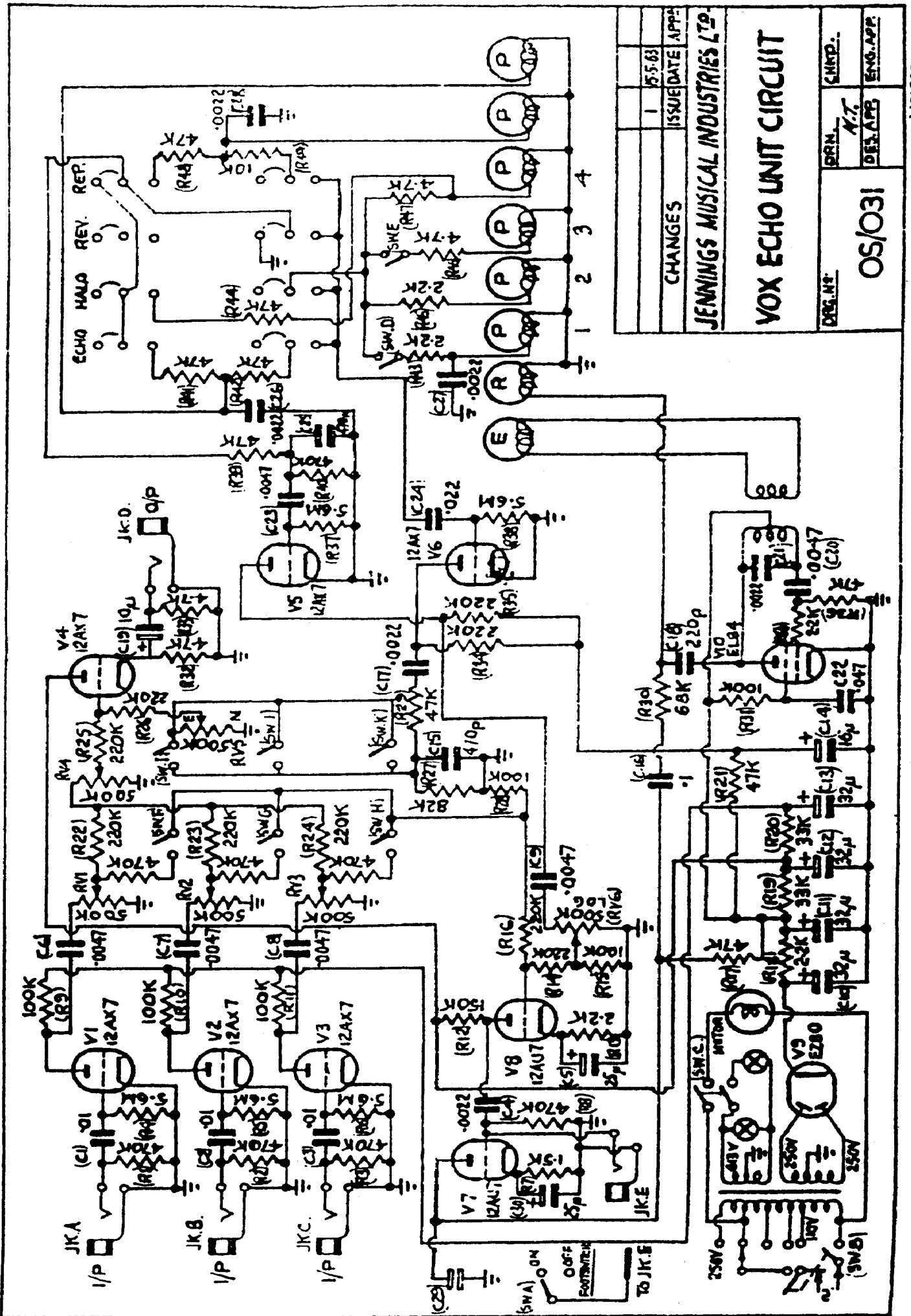


North Coast Music

JENNINGS MUSICAL INDUSTRIES LIMITED
VOX-ECHO UNIT DE-LUXE
MK II

| | | | |
|------------|---------|---------|----------|
| DRAWN | DATE | CHECKED | DATE |
| D.M.H. | 11-9-64 | D.M.H. | 11-11-63 |
| DRAWING-Nº | | ISSUE | |
| 05/038 | | 2 | APP |
| CHANGES: | | | |

WEARITE COIL NP.P.A.I.



| CHANGES | | ISSUE DATE | APP. |
|---------|--|------------|------|
| 1 | | 5-5-63 | |

JENNINGS MUSICAL INDUSTRIES LTD.

VOX ECHO UNIT CIRCUIT

| | | | | | |
|----------|--------|-----------|------|-----------|--|
| DES. NO. | OS/O31 | DRN. | A.T. | CHKD. | |
| | | DES. APP. | | ENG. APP. | |