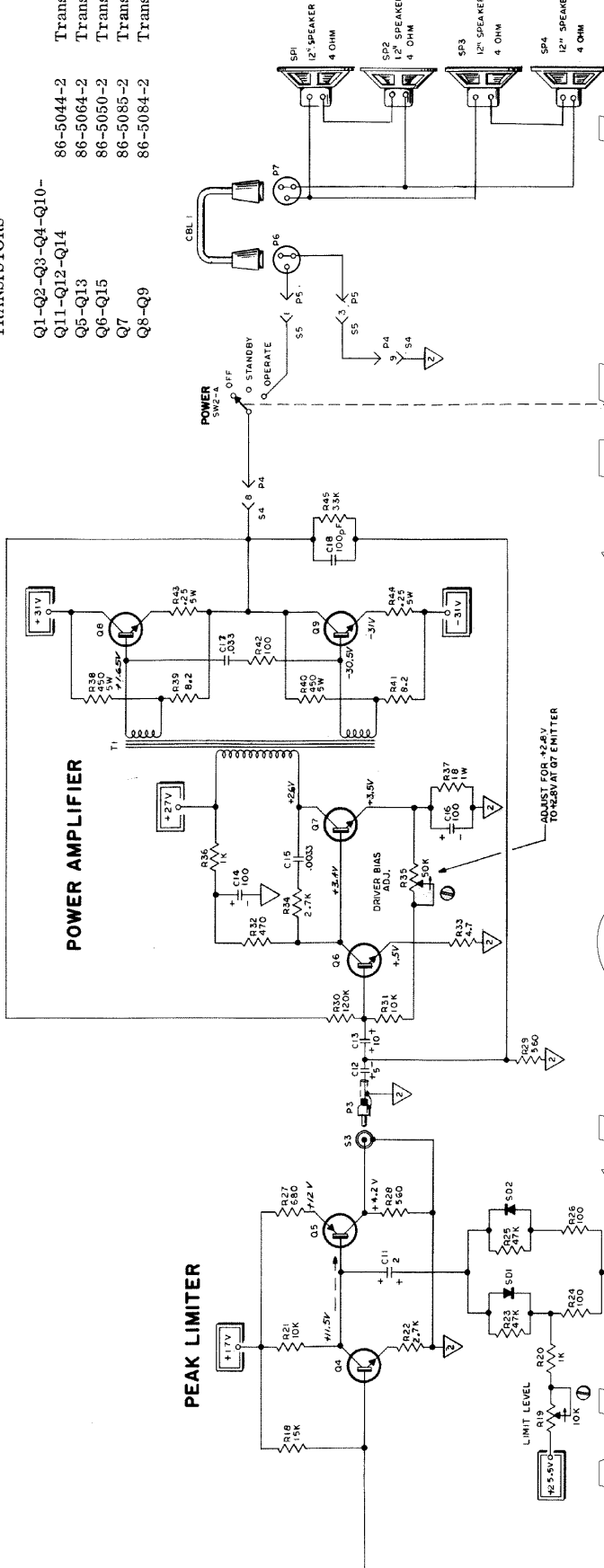


TRANSISTORS

- Q1-Q2-Q3-Q4-Q10- Transistor (Green/Yellow)
- Q11-Q12-Q14 Transistor (Blue)
- Q5-Q13 Transistor (Yellow)
- Q6-Q15 Transistor (Yellow)
- Q7 Transistor (Driver)
- Q8-Q9 Transistor

- 86-5044-2 Transistor (Green/Yellow)
- 86-5064-2 Transistor (Blue)
- 86-5050-2 Transistor (Yellow)
- 86-5085-2 Transistor (Driver)
- 86-5084-2 Transistor



VOX GENERAL INFORMATION

THIS SYMBOL INDICATES WHERE A LEAD ENDS ON ONE CIRCUIT AND BEGINS ON ANOTHER. NOTE THAT SEVERAL OF THESE ARE MARKED "SOURCE". THESE DENOTE THE ORIGIN OF THE REFERENCE POTENTIAL.

THIS SYMBOL INDICATES PLUG AND SOCKET TERMINAL CONNECTIONS WHERE IT IS NOT PRACTICAL TO DRAW THE ASSEMBLY AS A COMPLETE UNIT.

THIS SYMBOL INDICATES COMMON POWER SUPPLY CONNECTIONS THROUGHOUT THIS UNIT.

THIS SYMBOL INDICATES GROUND. THE NUMERAL WITHIN THE SYMBOL DENOTES THE TYPE OF GROUND. THIS INSTRUMENT USES SEVERAL TYPES OF GROUNDS TO AVOID GROUND LOOPS AND THE POSSIBILITY OF HUM PICK-UP.

ARROW INDICATES DIRECTION OF AUDIO SIGNAL FLOW THROUGH THE CIRCUITS.

+1.3V TRANSISTOR VOLTAGES TAKEN WITH VTVM.

+4.3V TRANSISTOR VOLTAGES TAKEN WITH 20,000 OHM PER VOLT METER. (VOLTAGE + OR - ONLY)

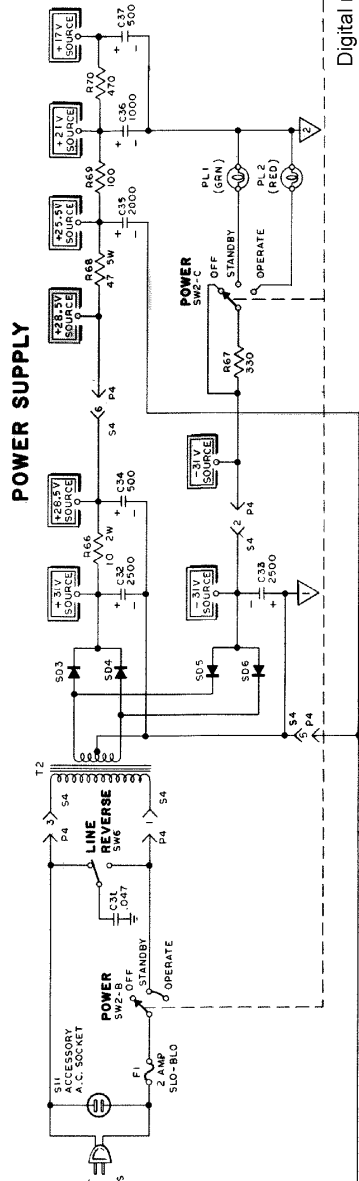
ALL SWITCHES SHOWN IN THE "OFF" POSITION UNLESS OTHERWISE INDICATED ON THE SCHEMATIC.

ALL CAPACITORS ARE IN "µF" UNLESS OTHERWISE INDICATED.

ALL RESISTORS ARE 1/2 W 10% UNLESS OTHERWISE INDICATED.

THE ARROW DRAWN ON POT. ARE INDICATES COUNTERWISE ROTATION.

North Coast Music

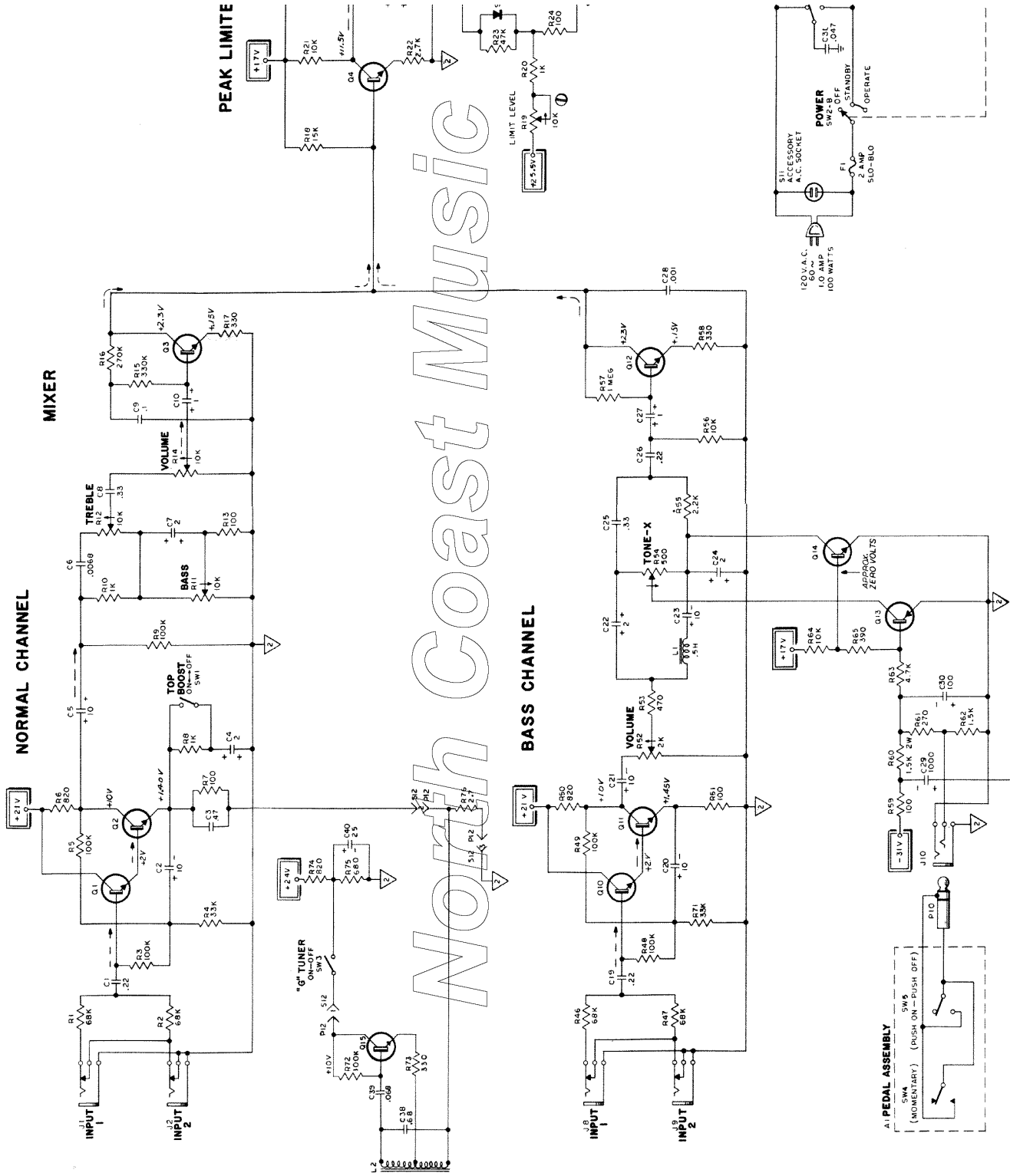


Digital rendering, corrections, and additions copyright 2000, North Coast Music. All rights reserved, unauthorized duplication or resale prohibited.



V117

North Coast Music



Digital rendering, corrections, and additions copyright 2000, North Coast Music. All rights reserved, unauthorized duplication or resale prohibited.