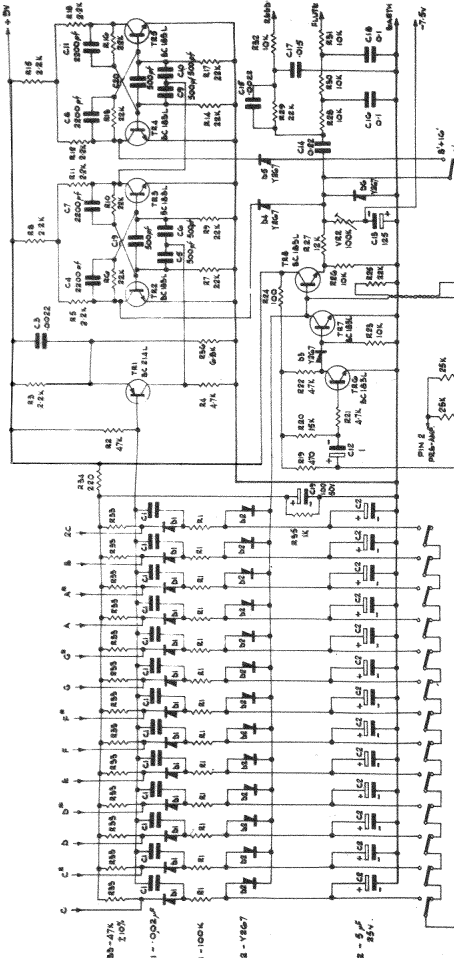


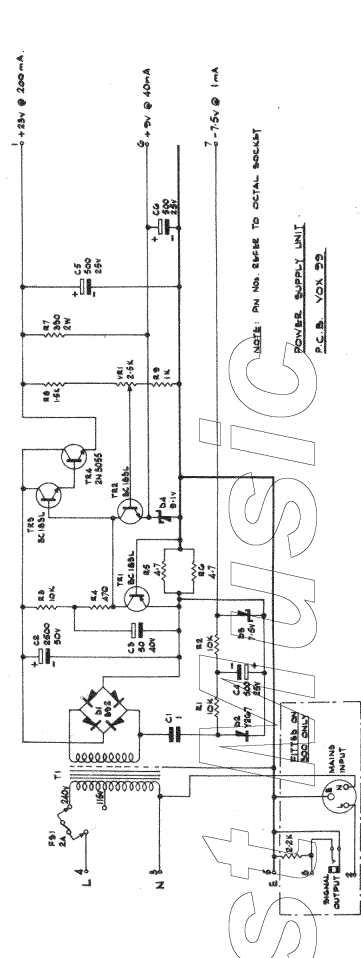
IF IN DOUBT ASK

THIRD ANGLE PROJECTION

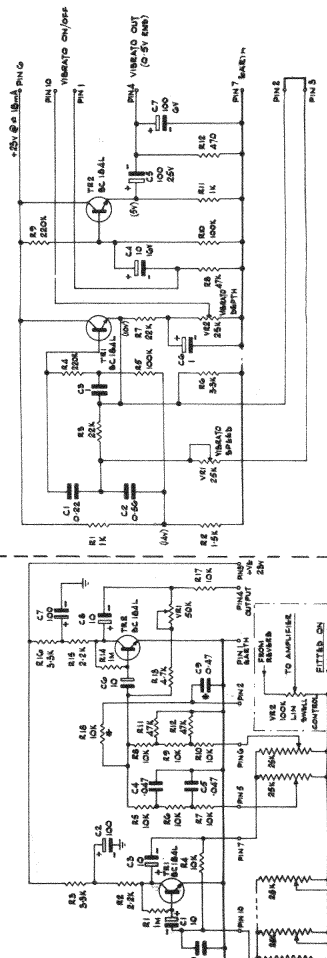
VOX



WALKING BASS UNIT  
P.C.B. VOX 60



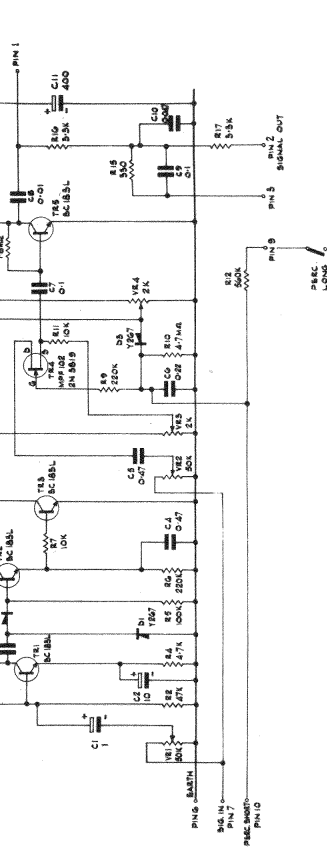
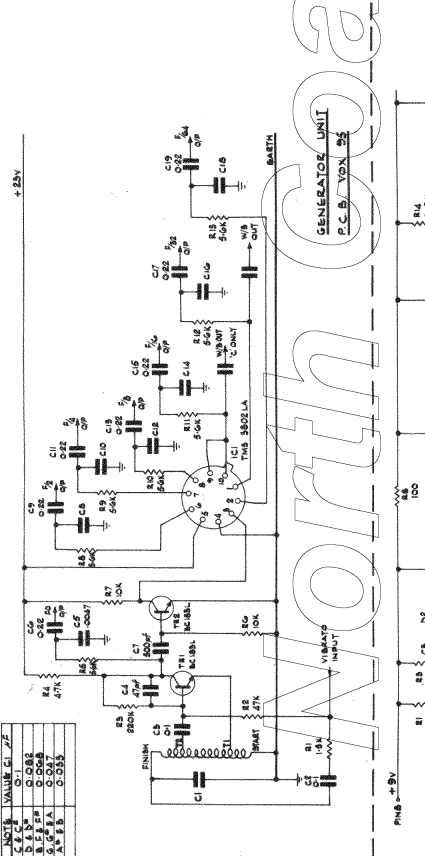
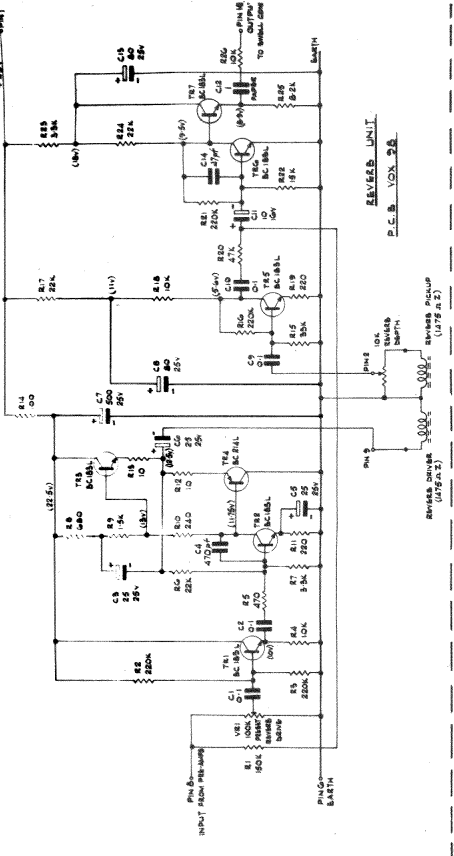
NOTE: PIN NOS REFER TO SOCIAL SOCKET



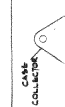
Digital remastering and corrections copyright North Coast Music 2000. All rights reserved, no unauthorized copying or resale allowed.

PRE-AMPLIFIER UNIT  
P.C.B. VOX 45

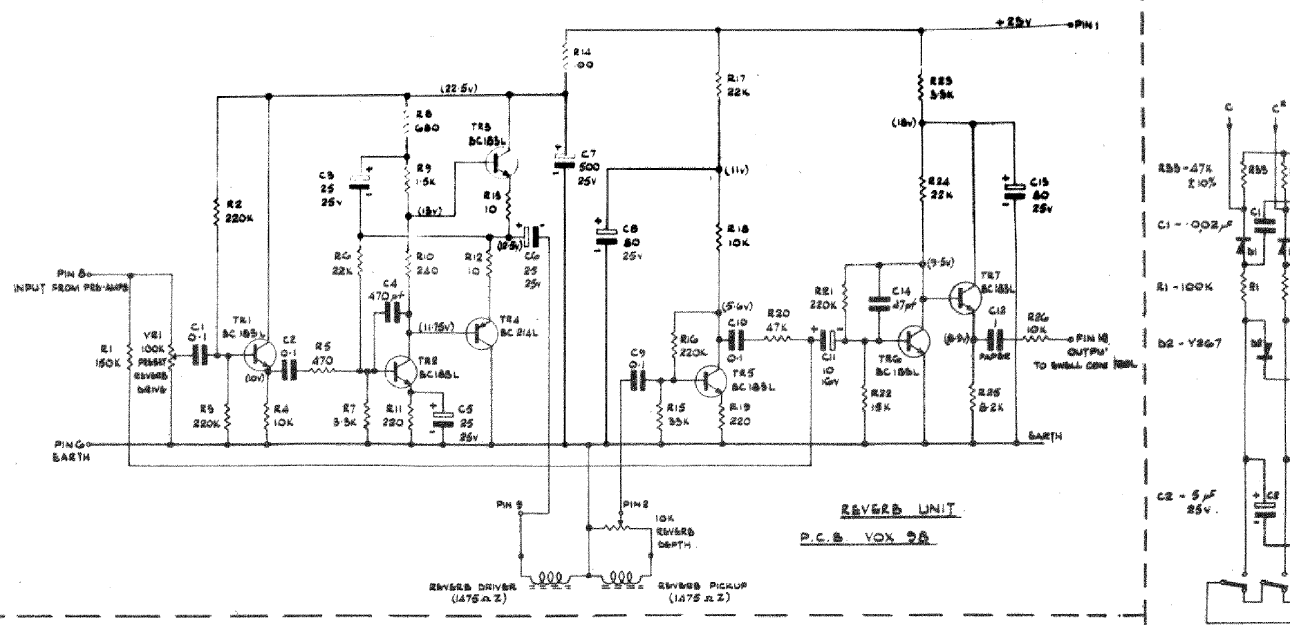
NOT REFERRED ON UPPER MANUAL PRE-AMP



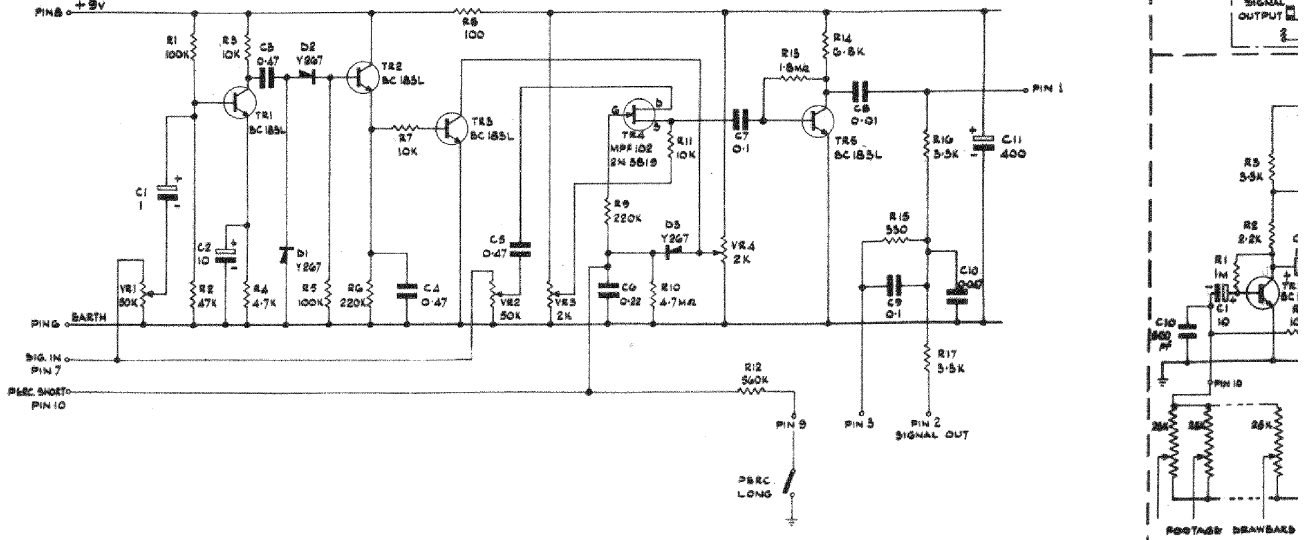
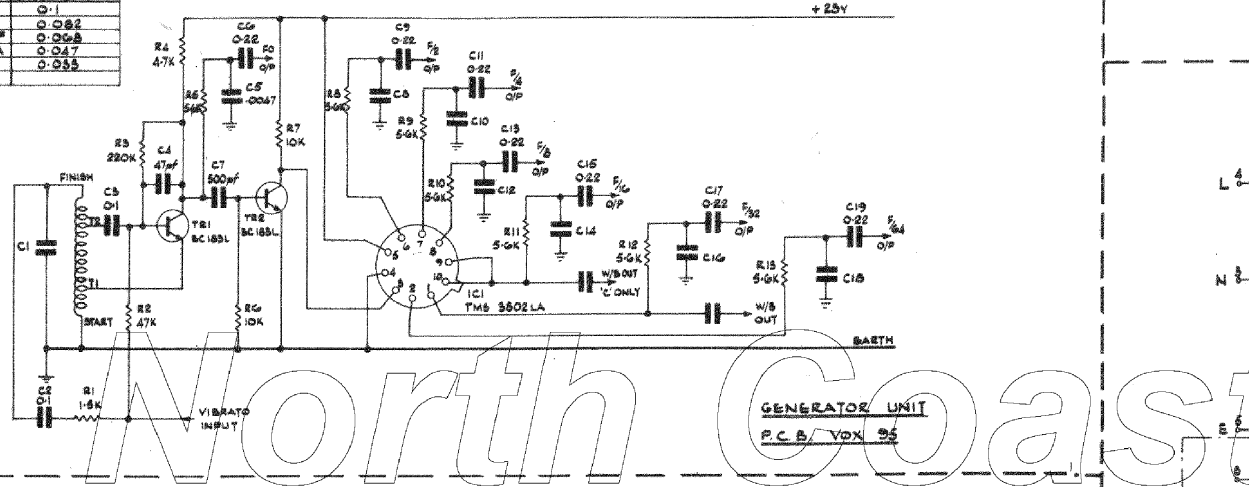
PERCUSSION UNIT  
P.C.B. VOX 25



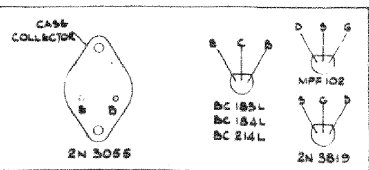
DATE	1978	DESIGNED BY	W. J. H. (WJH)
APPROVED		DRAWN BY	W. J. H. (WJH)
TITLE	CONTINENTAL 3000/501	CHKD BY	W. J. H. (WJH)
SERVICE DIAGRAM (SMT 2)	ICC / 033	DRG NO	
VOX SOUND	LTD.		



NOTE	VALUE	C1	μF
C B C F	0.1		
D B F	0.022		
E B F	0.0022		
G B F A	0.047		
A F B	0.055		



DRN	ENGR	THIS DRAWING SPECIFICATION BELONGS TO THE COMPANY AND IS ISSUED ON CONDITION THAT IT IS NOT TO BE REPRODUCED OR TRANSMITTED IN ANY FORM OR BY ANY MEANS, ELECTRONIC OR MECHANICAL, INCLUDING PHOTOCOPYING, RECORDING, OR BY ANY INFORMATION STORAGE AND RETRIEVAL SYSTEM, WITHOUT THE WRITTEN PERMISSION OF THE COMPANY.	
APPROVED	DATE	SCALE	UNLESS OTHERWISE STATED
FW		1/1	OR 3/5
TITLE - CONTINENTAL 3002301 SERVICE DIAGRAM (SMT. 2) VOX SOUND LTD.		DRG No. ICC/033	



PERCUSSION UNIT  
P.C.B. VOX 96

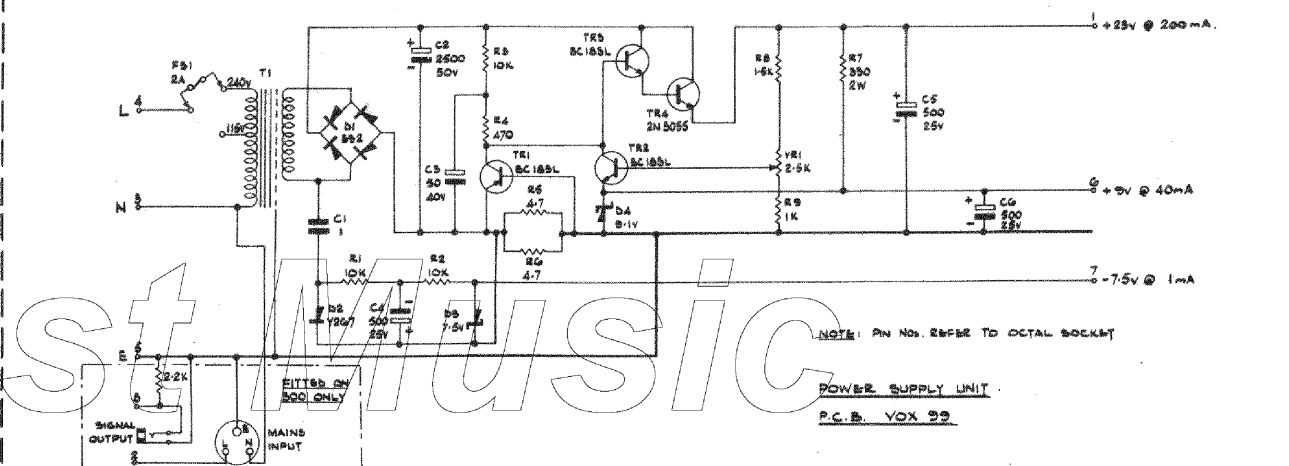
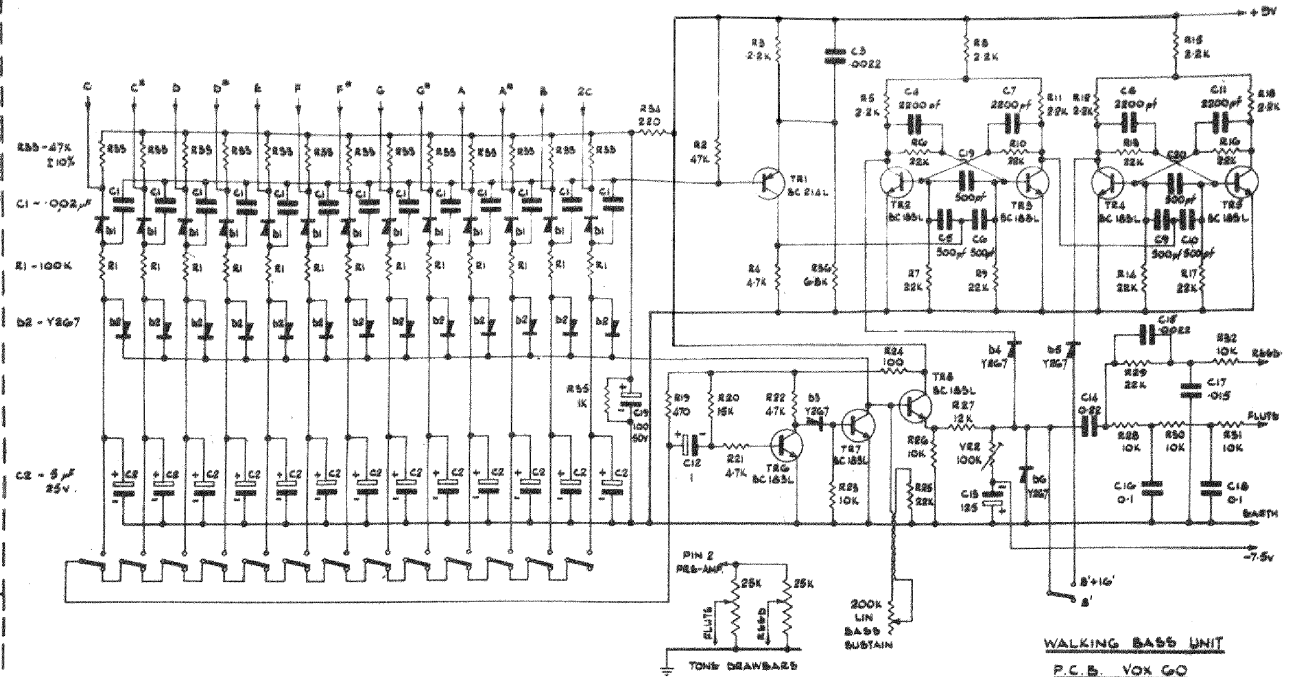
NOT FITTED ON MANUAL PREP.

PIN 1

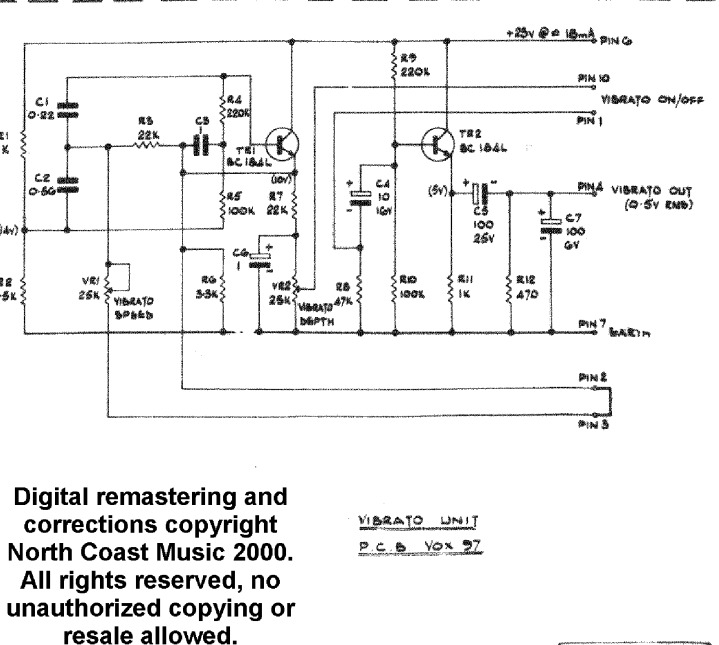
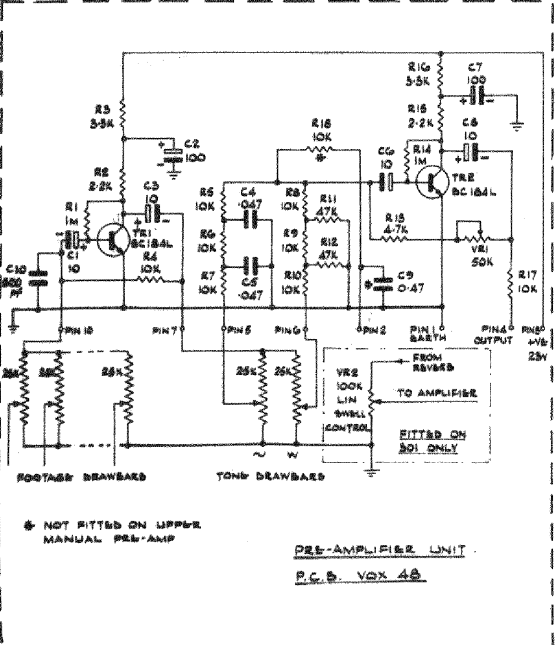
PIN 4

PIN 10 OUTPUT SWELL CONTROL

PIN 14



11



Digital remastering and corrections copyright North Coast Music 2000. All rights reserved, no unauthorized copying or resale allowed.