

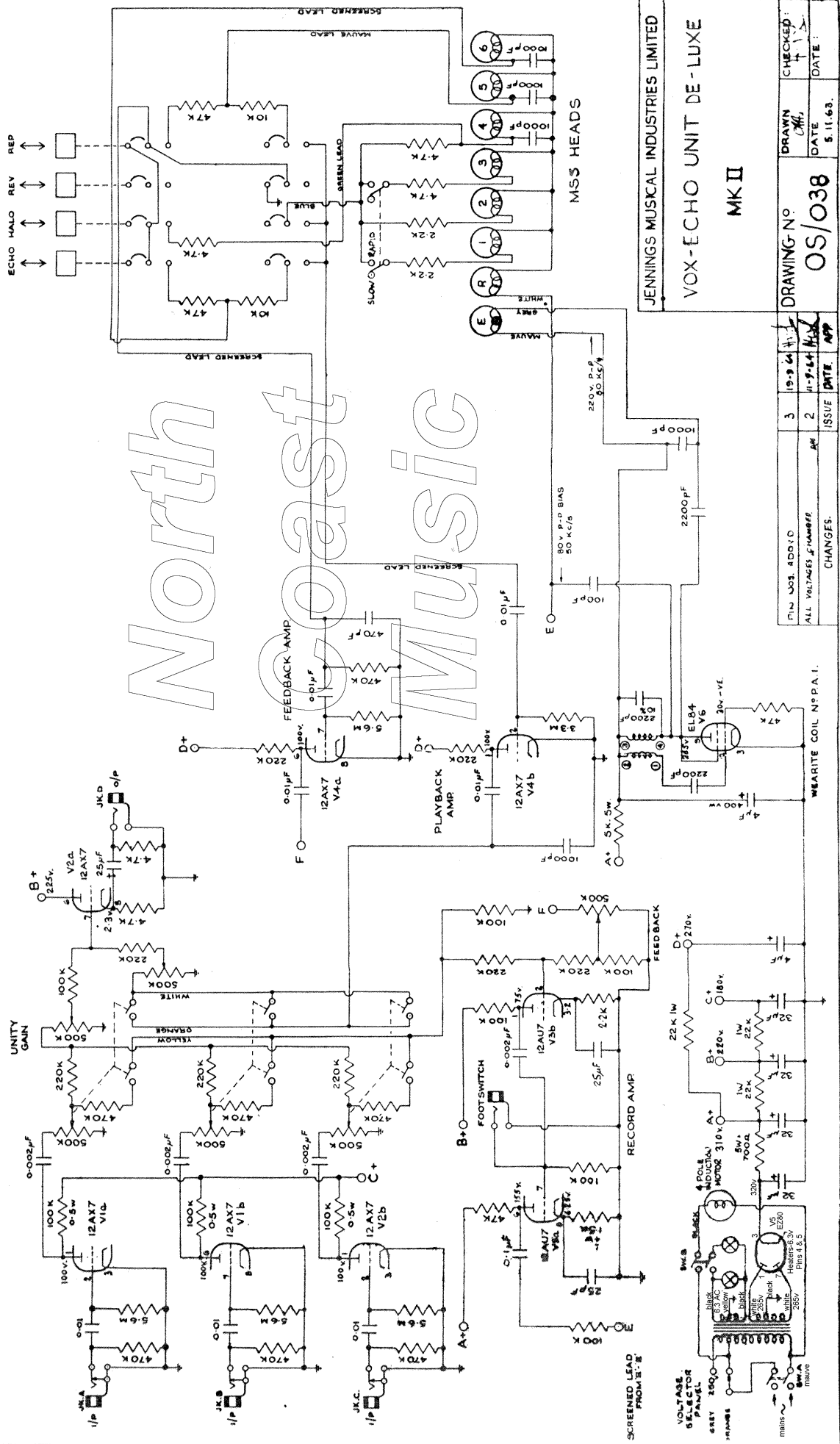
CHANGES	ISSUE	DATE	APP.
	1	5-5-63	

JENNINGS MUSICAL INDUSTRIES LTD.

VOX ECHO UNIT CIRCUIT

DES. NO.	OS/031
DRN.	N.T.
DES. APP.	
CHKD.	
ENG. APP.	

Digital remastering, corrections, and clarifications copyright 2000 North Coast Music. All rights reserved, no unauthorized duplication or resale allowed.



North
Coast
Music

JENNINGS MUSICAL INDUSTRIES LIMITED
VOX-ECHO UNIT DE-LUXE
MK II

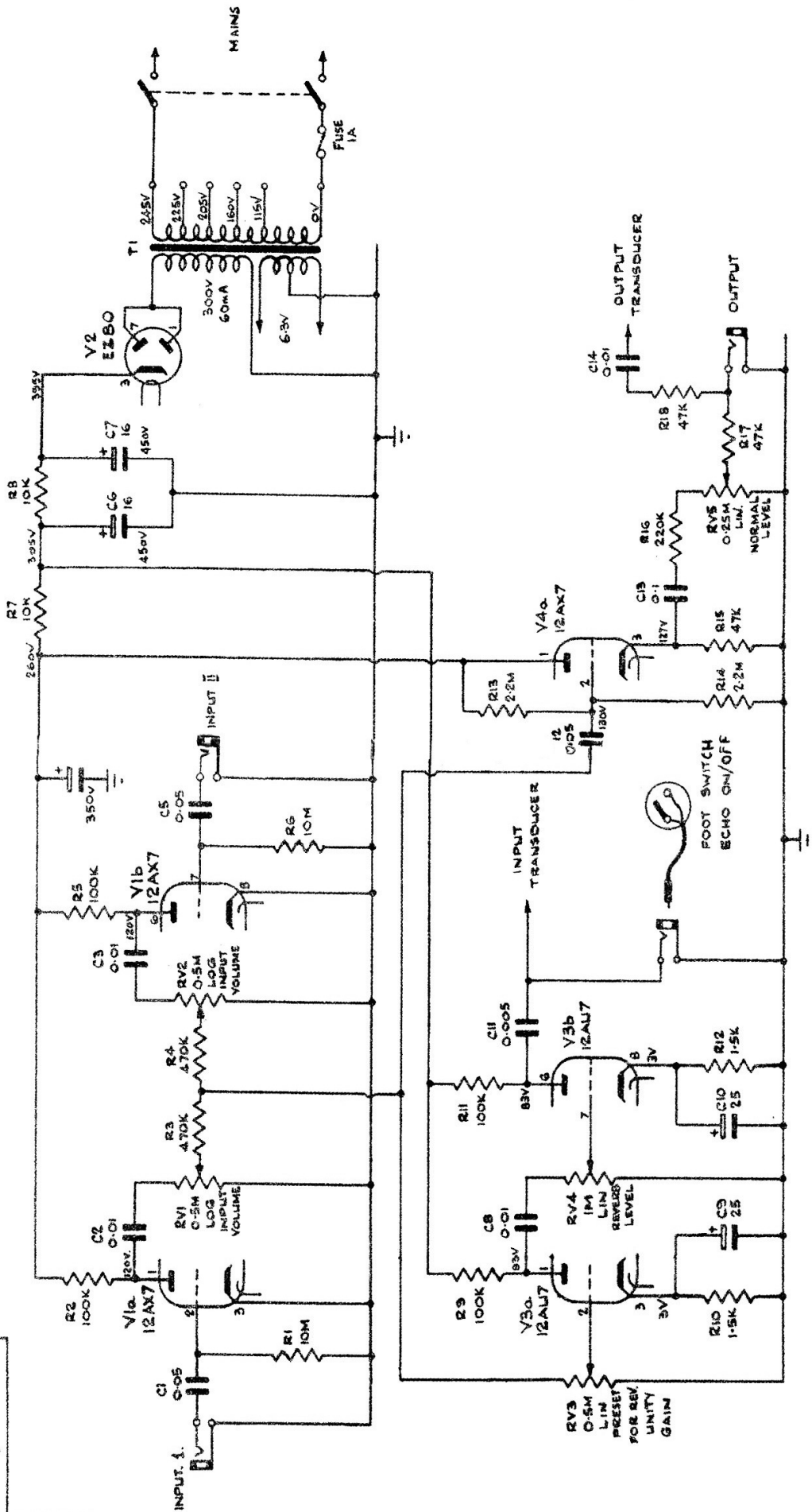
DRAWING-N°		DRAWN		CHECKED	
OS/038		OH		JW	
3	10-9-64	2	11-9-64	DATE	DATE
ISSUE	DATE	CHANGES.			

WEARITE COIL NP.P.A.1.

VOLTAGE SELECTOR PANEL
grey 250V
white 220V
black 250V
5V
black 5V
black 120V
310V
4 POLE
MOTOR
7000A
SWA
7000A
SWA
Pins 4 & 5

SCREENED LEAD FROM 'E'

DRAWING NO.
OS/011



ALL RESISTORS IN OHMS UNLESS OTHERWISE STATED.
ALL CAPACITORS IN MFDs UNLESS OTHERWISE STATED.

SCALE		CHANGES		TITLE		DRN.	CHK.	APP.	DRAWING NO.
MAT.	FIN.	1	2	VOX REVERBERATION UNIT.		024		P. D. Denny	
		4	6						JENNINGS MUSICAL INDUSTRIES LTD. DARTFORD KENT
									DRAWING NO. / 11