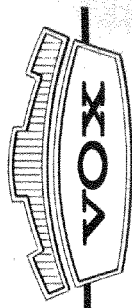
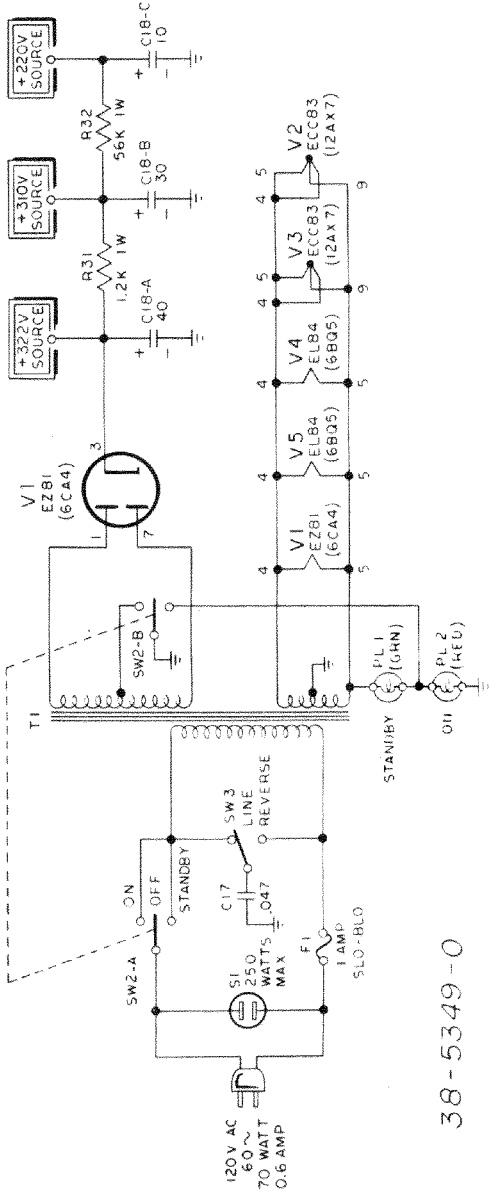
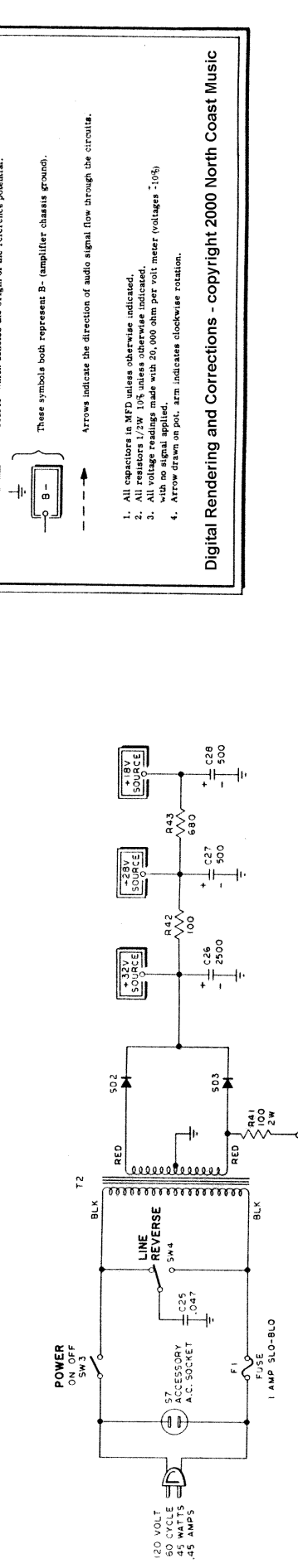
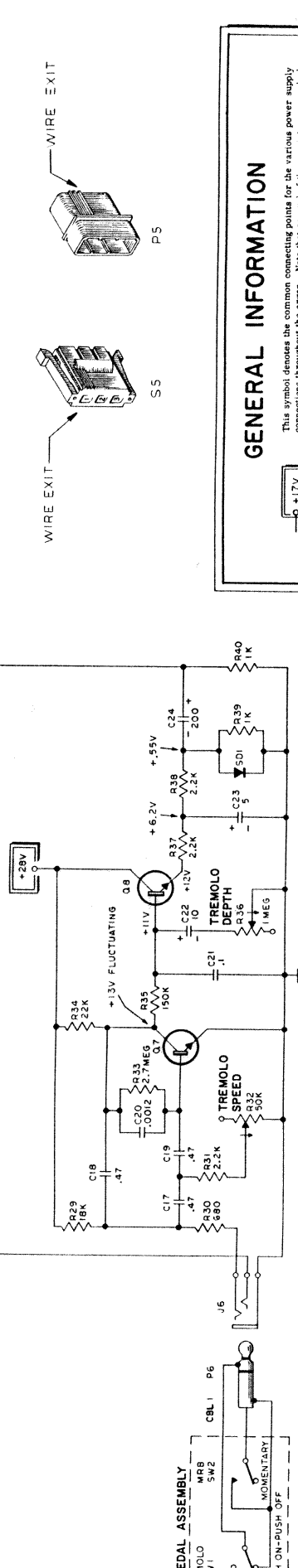
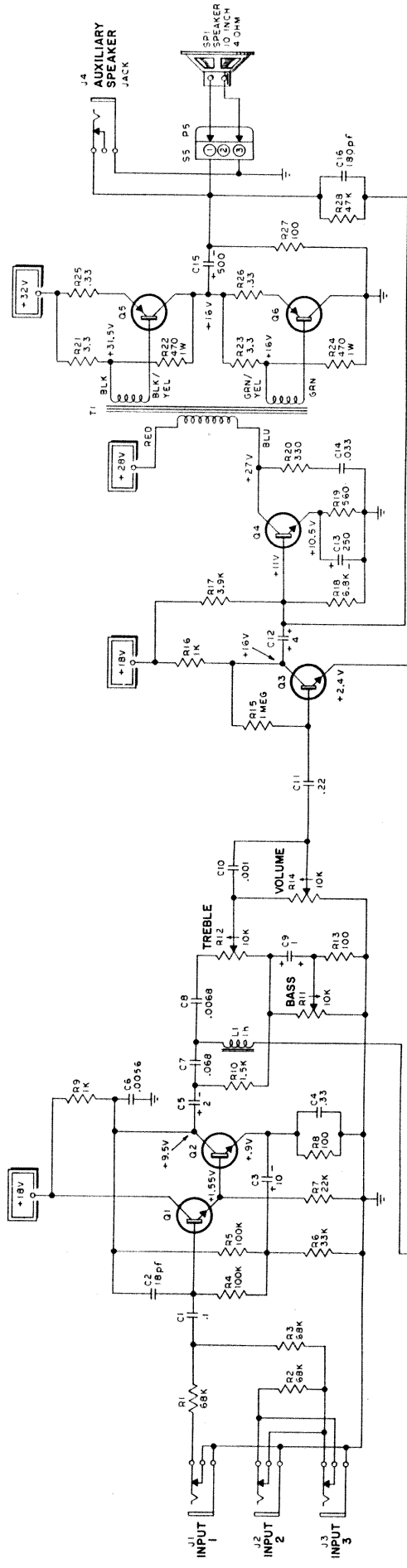


- NOTES:
1. ALL CAPACITORS IN MFD UNLESS OTHERWISE INDICATED.
  2. ALL RESISTORS 1/2W 10% UNLESS OTHERWISE INDICATED.
  3. ALL VOLTAGE READINGS MADE WITH 20,000 OHM PER VOLT METER (VOLTAGES ±10%)
  4. AMERICAN TUBE NUMBER SHOWN IN PARENTHESIS



PACEMAKER  
AMPLIFIER NO. V-2



### GENERAL INFORMATION

This symbol denotes the common connecting points for the various power supply connections throughout the organ. Note that several of these points are marked "source" which denotes the origin of the reference potential.

These symbols both represent B- (amplifier chassis ground).

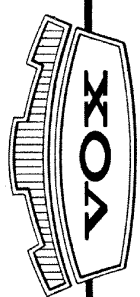
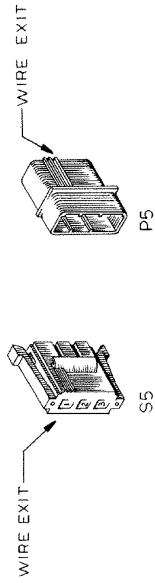
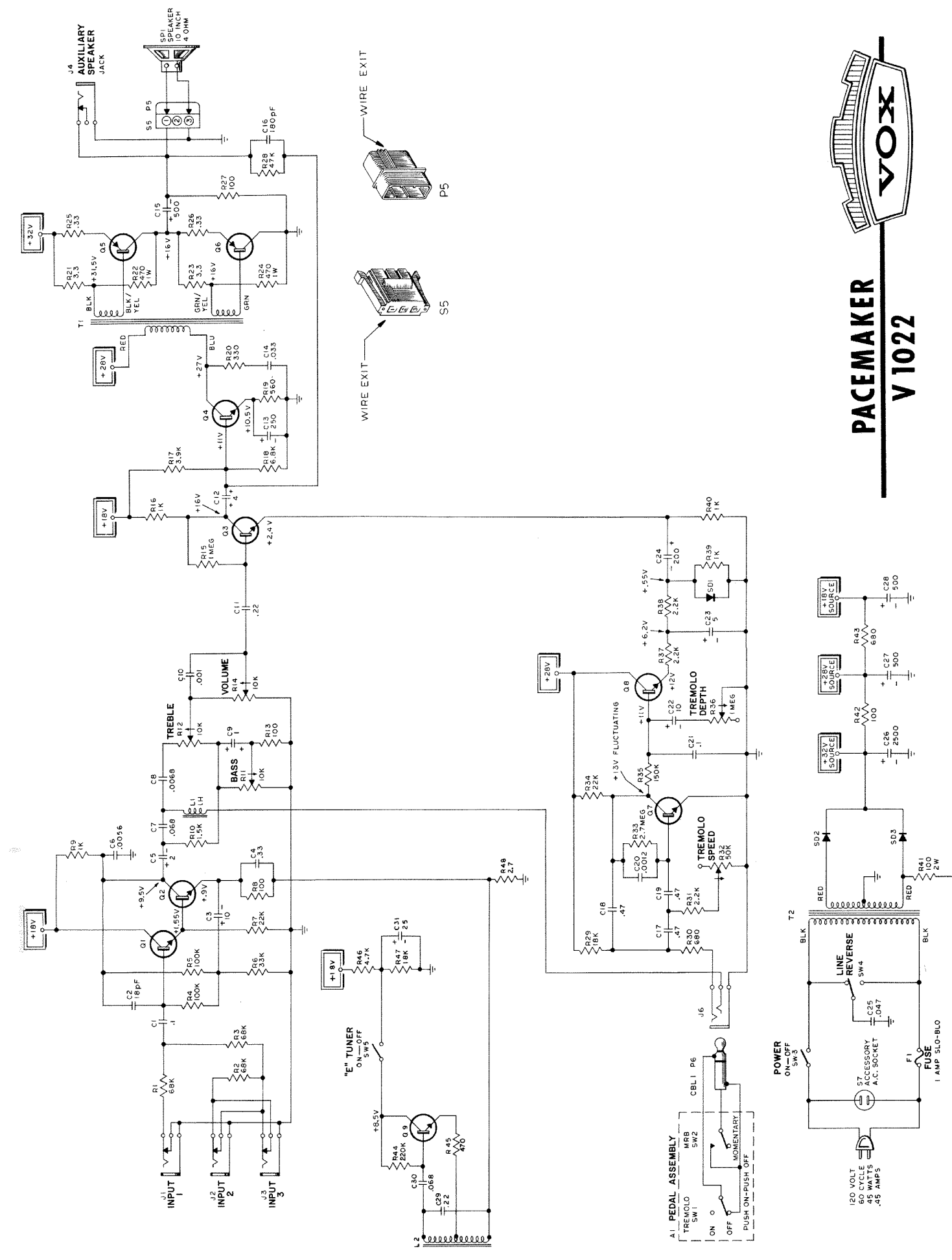
Arrows indicate the direction of audio signal flow through the circuits.

1. All capacitors in MFD unless otherwise indicated.
2. All resistors 1/2W 10% unless otherwise indicated.
3. All voltage readings made with 20,000 ohm per volt meter (voltages  $\pm 10\%$  no signal applied).
4. Arrow drawn on pot. trim. indicates clockwise rotation.

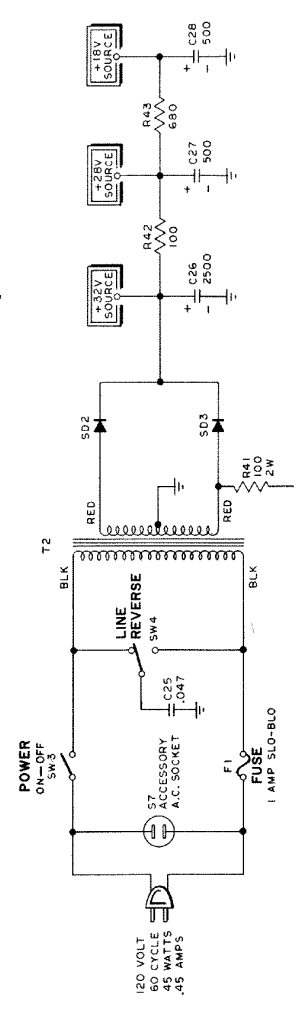
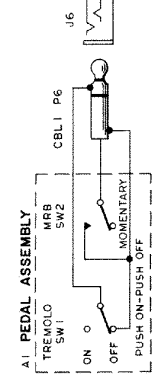


# PACEMAKER V1020

- Digital Rendering and Corrections - copyright 2000 North Coast Music
- Q1-Q2 86-5044-2 Transistor (Yel./Grn)
  - Q3-Q7-Q8 86-5050-2 Transistor (Yellow)
  - Q4 86-5075-2 Driver Transistor "G"
  - Q5-Q6 86-5089-2 Output Transistor (Germ. PNP)



# PACEMAKER V1022



120 VOLT  
60 CYCLE  
40 WATT  
.45 AMPS

1 AMP SLO-BLO