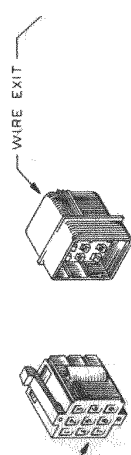
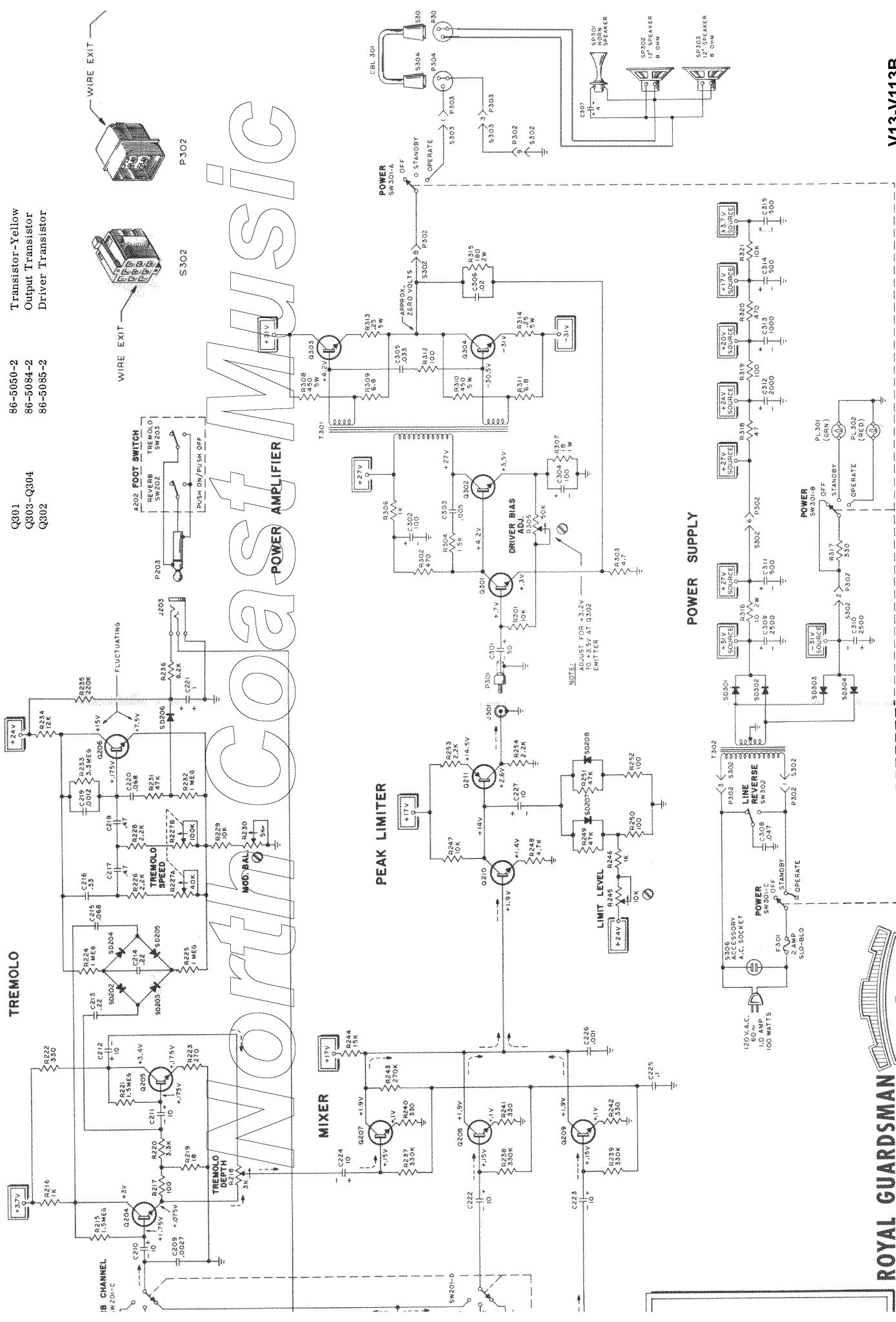


**BLOCK 300**

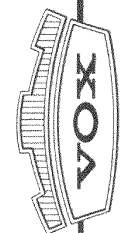
- Q301 Transistor-Yellow
- Q303-Q304 Output Transistor
- Q302 Driver Transistor



# Worth Music

**POWER AMPLIFIER**

**POWER SUPPLY**

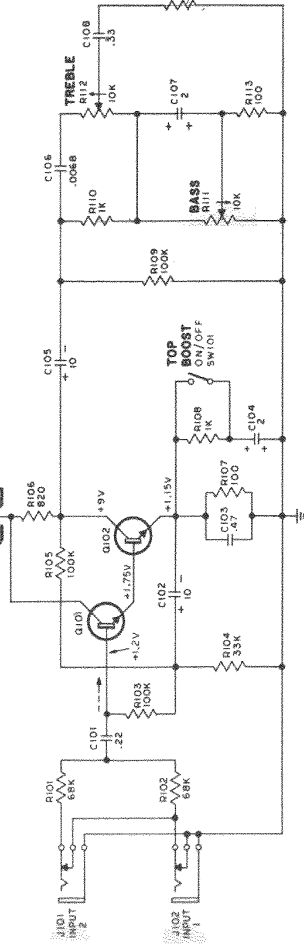


**ROYAL GUARDSMAN**  
V-13 V113

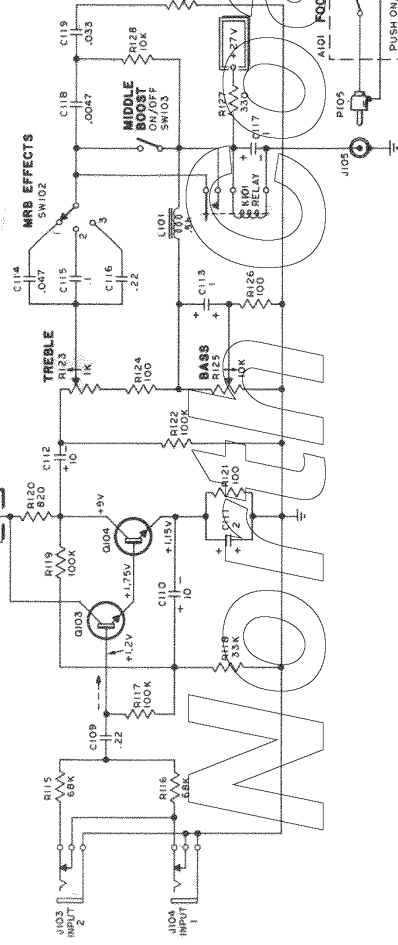
V13-V113B

**BLOCK 100**

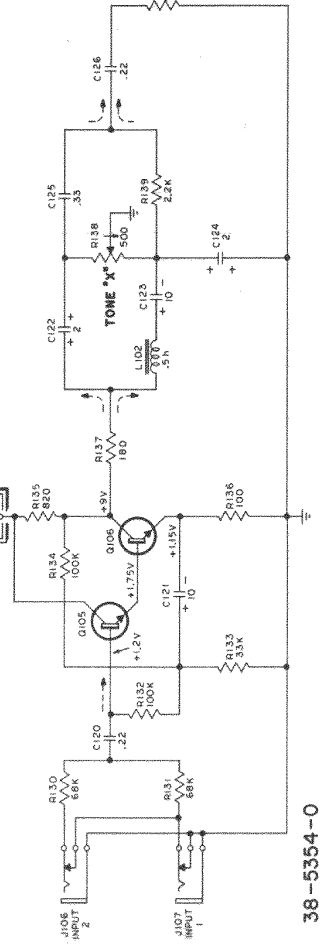
**NORMAL CHANNEL**



**BRILLIANT CHANNEL**

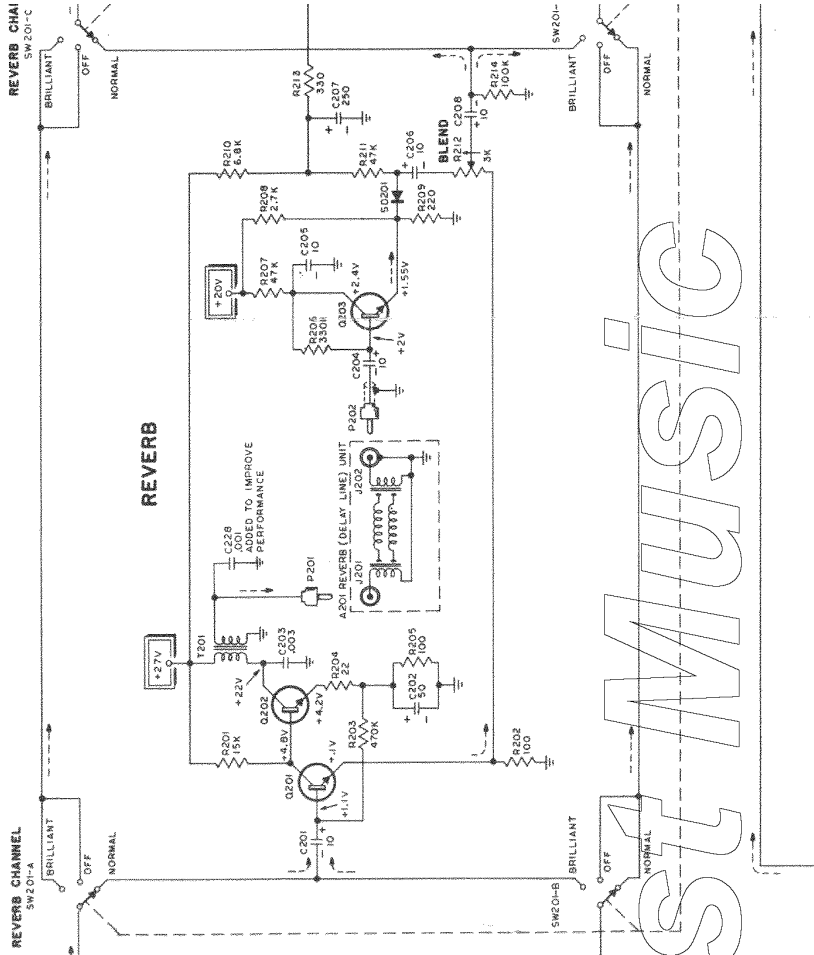


**BASS CHANNEL**



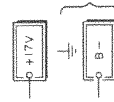
**BLOCK 200**

- 86-5044-2 Transistor (Green/Yellow)
- 86-5044-2 Transistor (Green/Yellow)
- 86-5050-2 Transistor (Yellow)
- 86-5064-2 Transistor "G"
- 86-5075-2 Transistor "G"



**GENERAL INFORMATION**

This symbol denotes the common connecting points for the various power supply connections throughout the organ. Note that several of these points are marked "source" which denotes the origin of the reference potential.



These symbols both represent B+ (amplifier chassis ground).  
 Arrows indicate the direction of audio signal flow through the circuits.  
 This symbol indicates plug and socket terminal connections. Where it is not practical to draw the assembly as a complete unit.

1. All capacitors in MFD unless otherwise indicated.
2. All resistors 1/2W 10% unless otherwise indicated.
3. All voltage readings made with 20,000 ohm per volt meter (voltages -10%) with no signal applied.
4. Arrow drawn on pot. arm indicates clockwise rotation.

V13-V113A