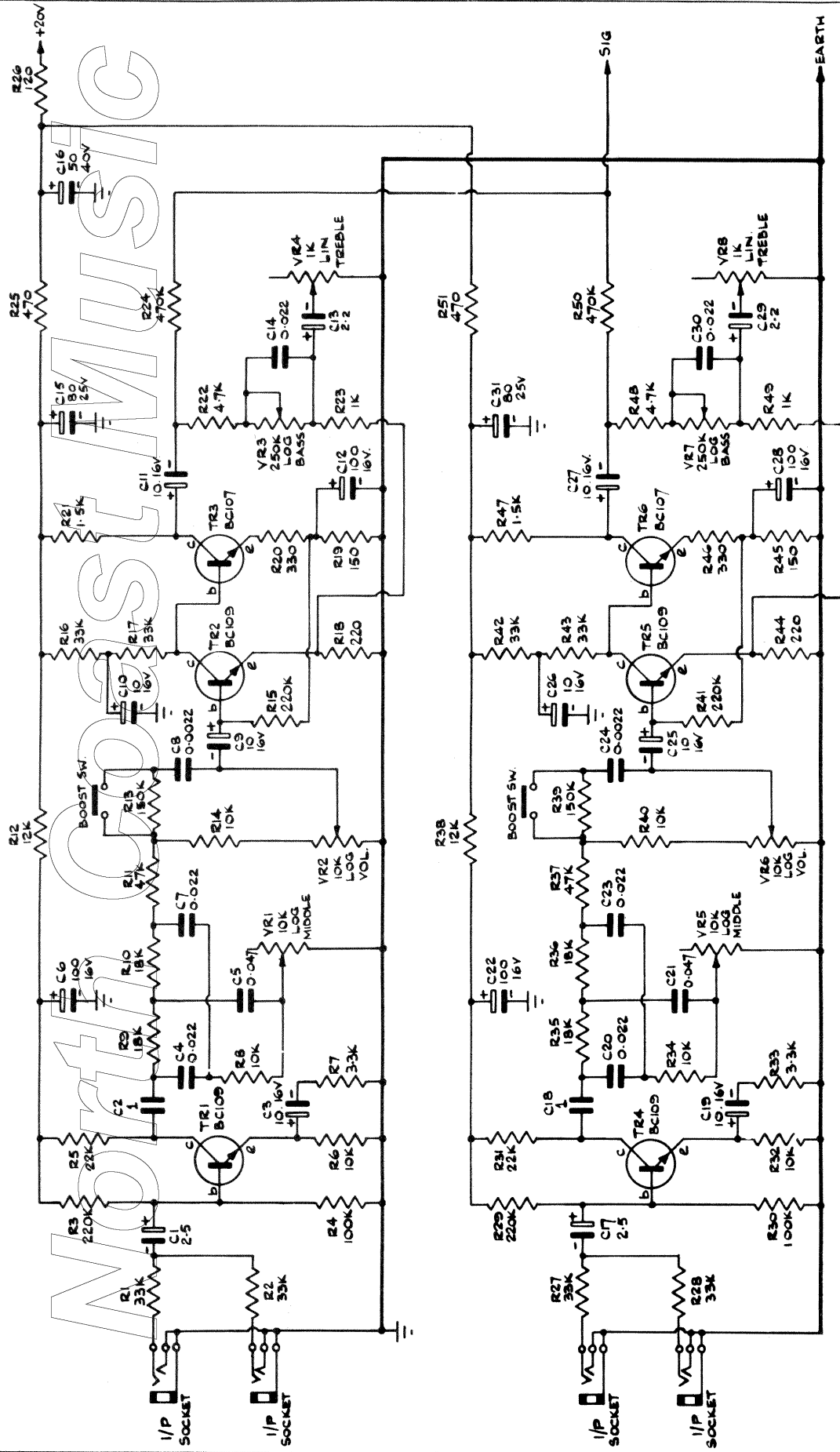


TITLE:-		SCALE		ISS		DRS. No.	
715/730/100/7120 WATT AMPLIFIERS		MAT.	FIN.	1	2	3	4
TREBLE END STAGE		TOL.		A/147		05/117	
CHK	APP						
JENNINGS MUSICAL INDUSTRIES LTD		DARTFORD - KENT					

Digital remastering and corrections copyright North Coast Music 2000. All rights reserved. unauthorized duplication or resale prohibited.

ALL RESISTORS 1/4 W 5% H STAB TYPE UNLESS OTHERWISE STATED.

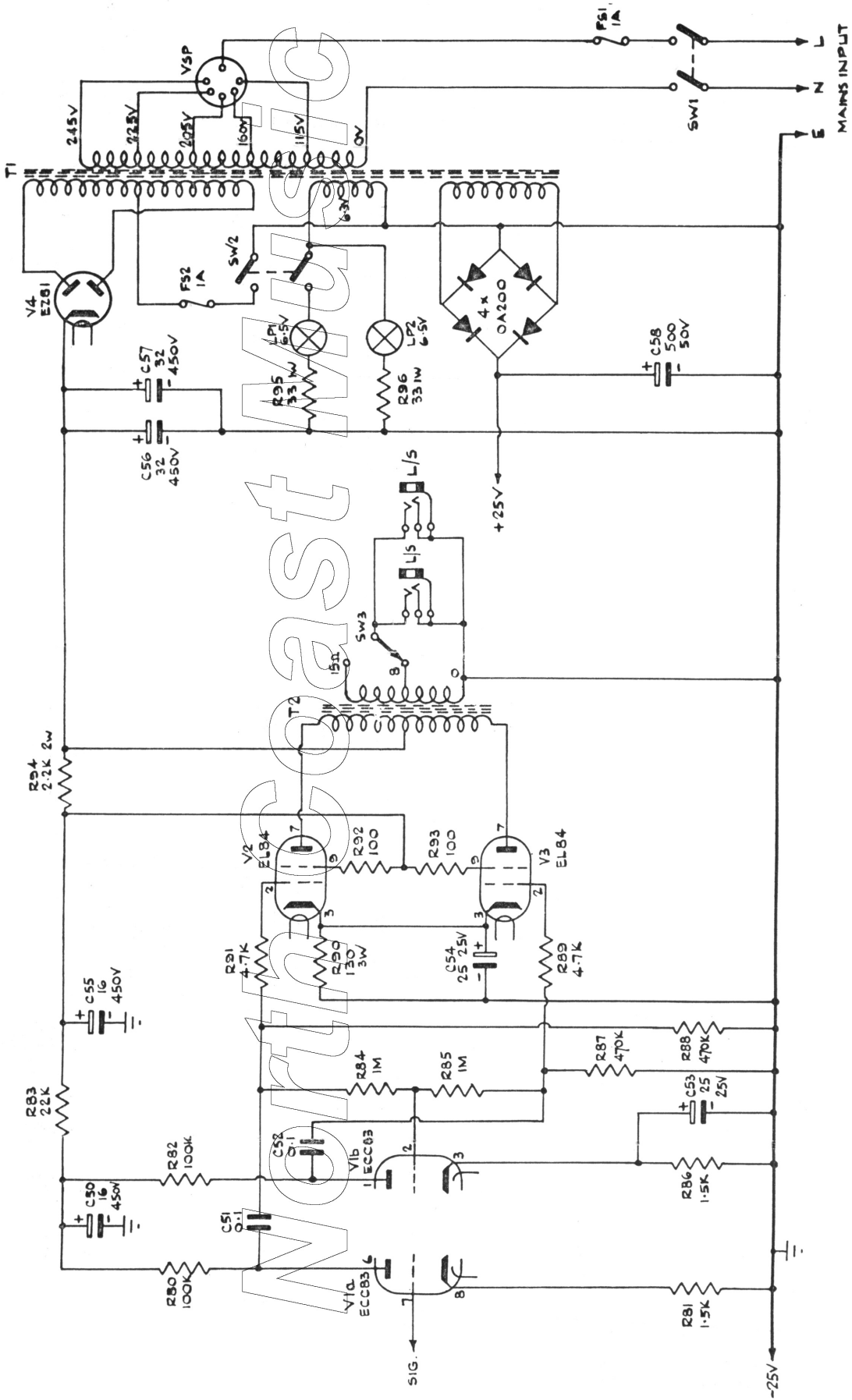
DRG. NO  
OS/119



FOR POWER END STAGE SEE DRG NO OS/114.

Digital rendering, corrections, and additions copyright 2000 North Coast Music. All rights reserved, unauthorized duplication or resale prohibited.

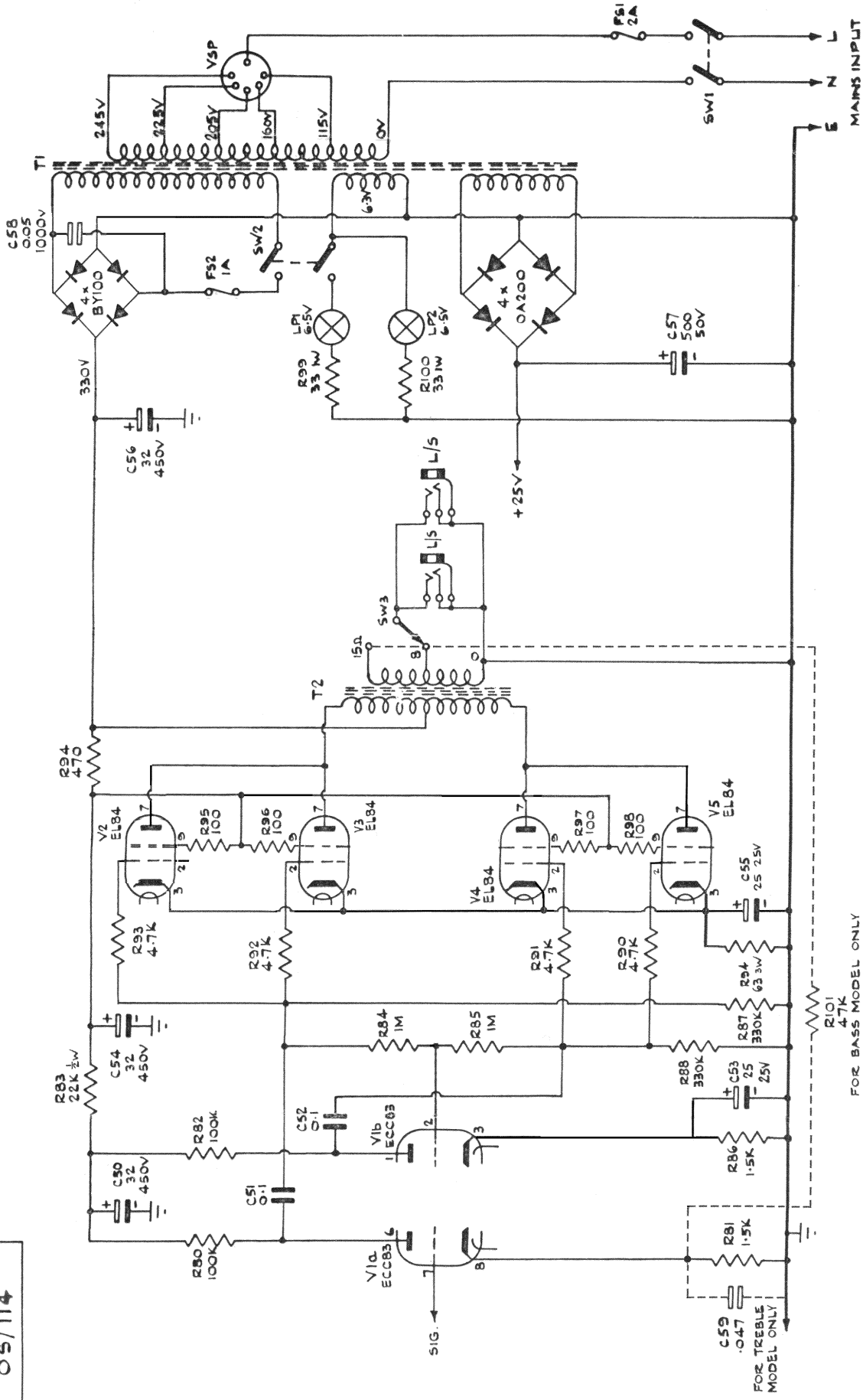
SCALE		TITLE:-		DRN	J.E. Hagglin
MM	IN	MAT	FIN	CHK	APP
3	9				
1	1				
2	2				
0	0				
TOL.		JENNINGS MUSICAL INDUSTRIES LTD DARTFORD KENT.		PRG NO OS/119	



FOR 75WATT TREBLE END STAGE SEE DRG NO OS/117

SCALE	DRN	Q. E. Hopkin
MATH	CHK	
FIN.	APP	
TOL.	DRG. NO.	OS/113
CHANGES	TITLE:- 75WATT AMPLIFIER (POWER END)	
1	JENNINGS MUSICAL INDUSTRIES LTD DARTFORD - KENT.	
28-2-66		
155		

DRG NO  
OS/114



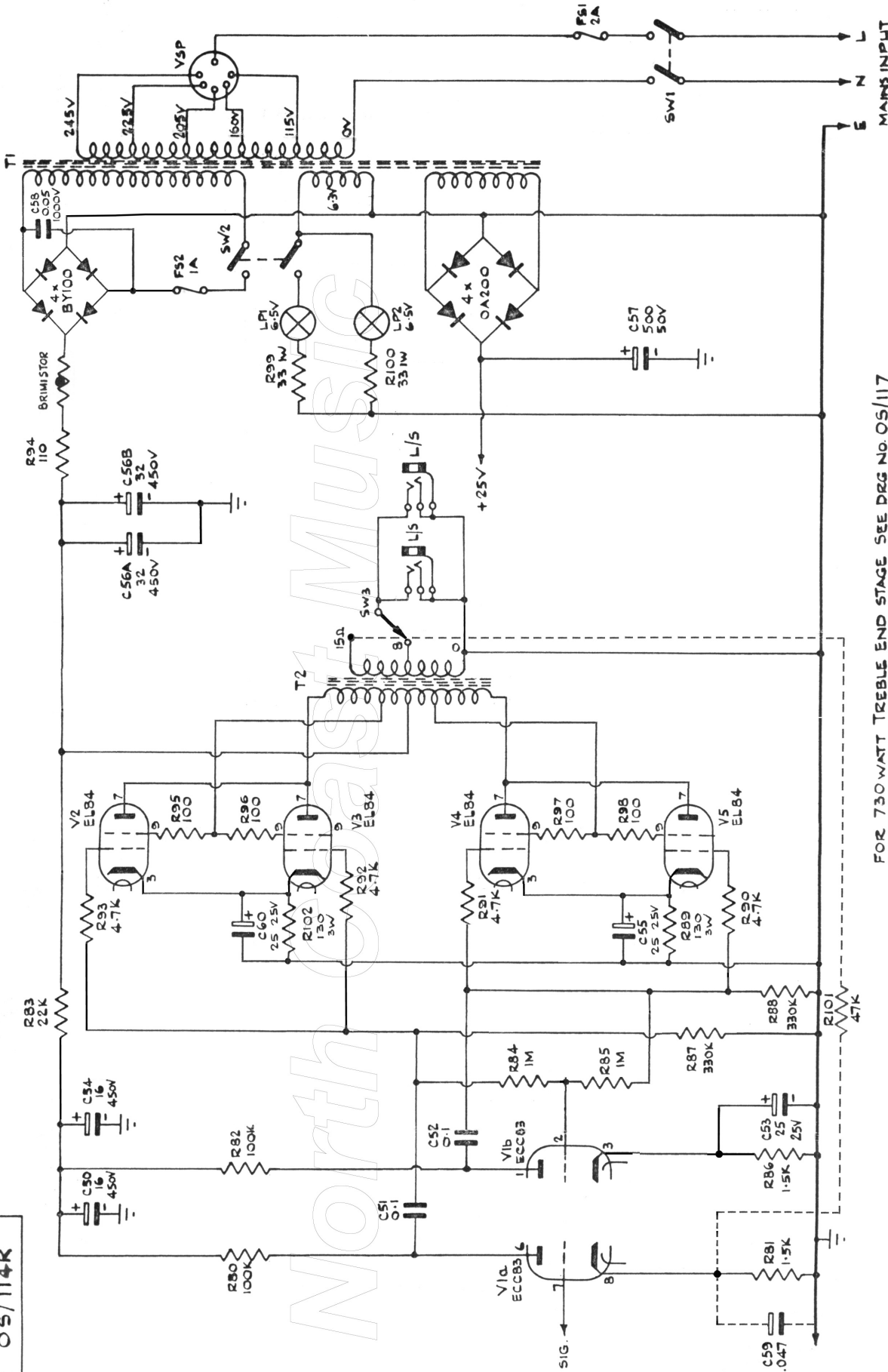
FOR BASS MODEL ONLY

FOR 430 WATT BASS END STAGE SEE DRG NO. OS/119  
FOR 730 WATT TREBLE END STAGE SEE DRG NO. OS/117

SCALE	1:1
MATH	
FIN.	
TOL.	
CHANGES	1
128-2-66	
TITLE:- 730/430 WATT AMPLIFIERS (POWER END)	
DRN	J.E. Hopkin
CHK	
APP	
DRG. NO. OS/114	
JENNINGS MUSICAL INDUSTRIES LTD DARTFORD - KENT.	

Redrawn for clarity by North Coast Music

DRG NO  
OS/114R

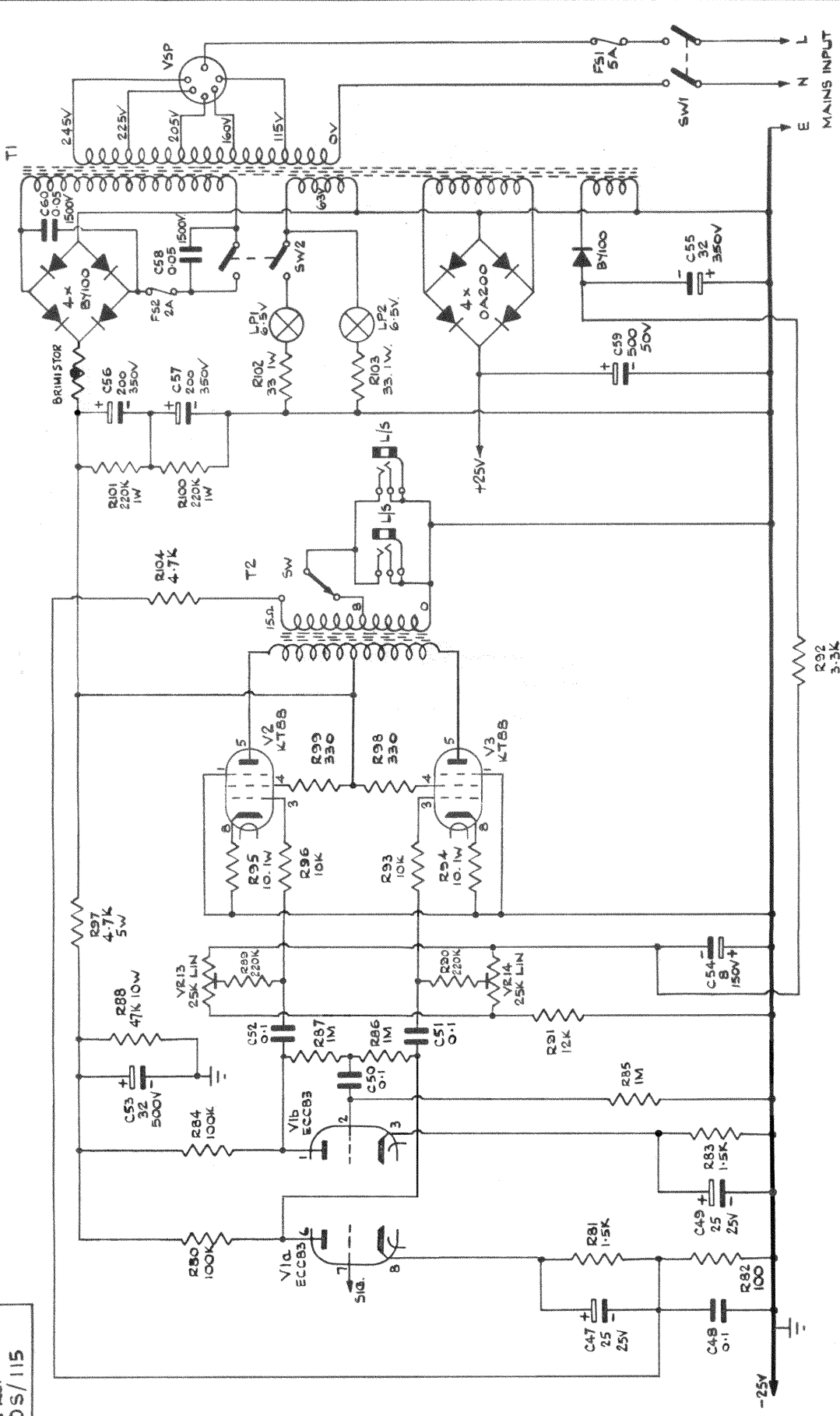


FOR 730 WATT TREBLE END STAGE SEE DRG NO. OS/117  
 FOR 430 WATT BASS END STAGE SEE DRG NO. OS/118

SCALE	1:55	CHANGES	1	TITLE:-	430/730 WATT AMPLIFIERS (POWER END)	DRN	O. E. Hopkin
MATH						CHK	
FINI.						APP	
TOL.							
				JENNINGS MUSICAL INDUSTRIES LTD DARTFORD - KENT.		DRG. NO. OS/114R	

Redrawn by North Coast Music to add UL bias circuit on output stage

DRG No. OS/115

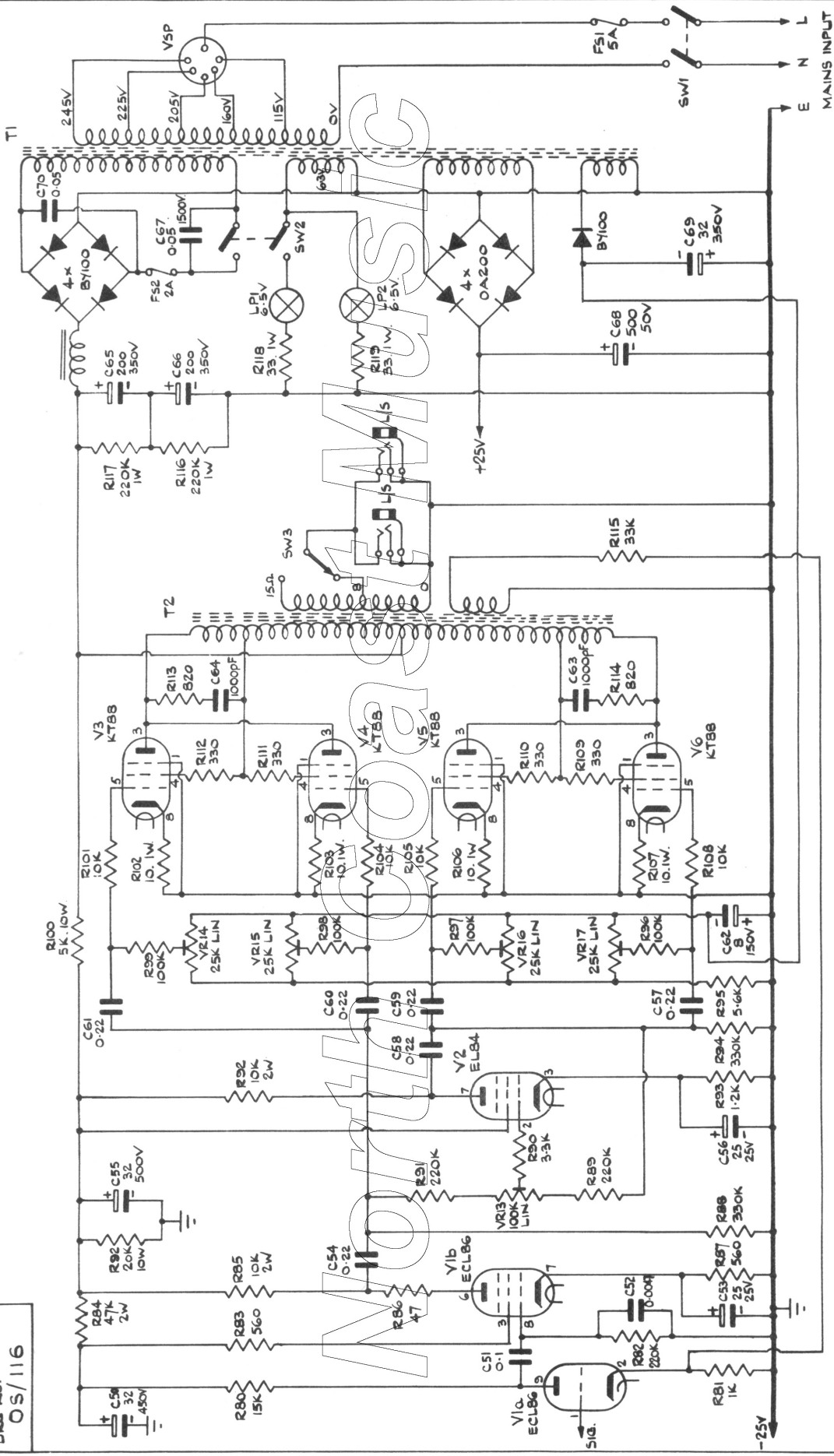


FOR 460 WATT BASS END STAGE SEE DRG NO. OS/119  
 FOR 760 WATT TREBLE END STAGE SEE DRG NO. OS/117

SCALE	1/32	CHANGES	1/32	TITLE	460/760 WATT AMPLIFIERS (POWER END STAGE)	DRN	R.F. Hughes
MAT.	1	1-3-66	1			CHK	
FIN.	2	15-11-66	2	R92 & R104 ADDED		APP	
TOL.							
JENNINGS MUSICAL INDUSTRIES LTD DARTFORD - KENT.						DRG No. OS/115	

Redrawn by North Coast Music to improve clarity

DRG No. OS/116



SCALE	1/32
MAT.	CHANGES
FIN.	1
TOL.	17-3-66
DRN	R.F. Hughes
CHK	
APP	
DRG. No.	OS/116

TITLE  
4120/7120 WATT AMPLIFIERS  
(POWER END STAGE)

JENNINGS MUSICAL INDUSTRIES LTD.  
DARTFORD - KENT.