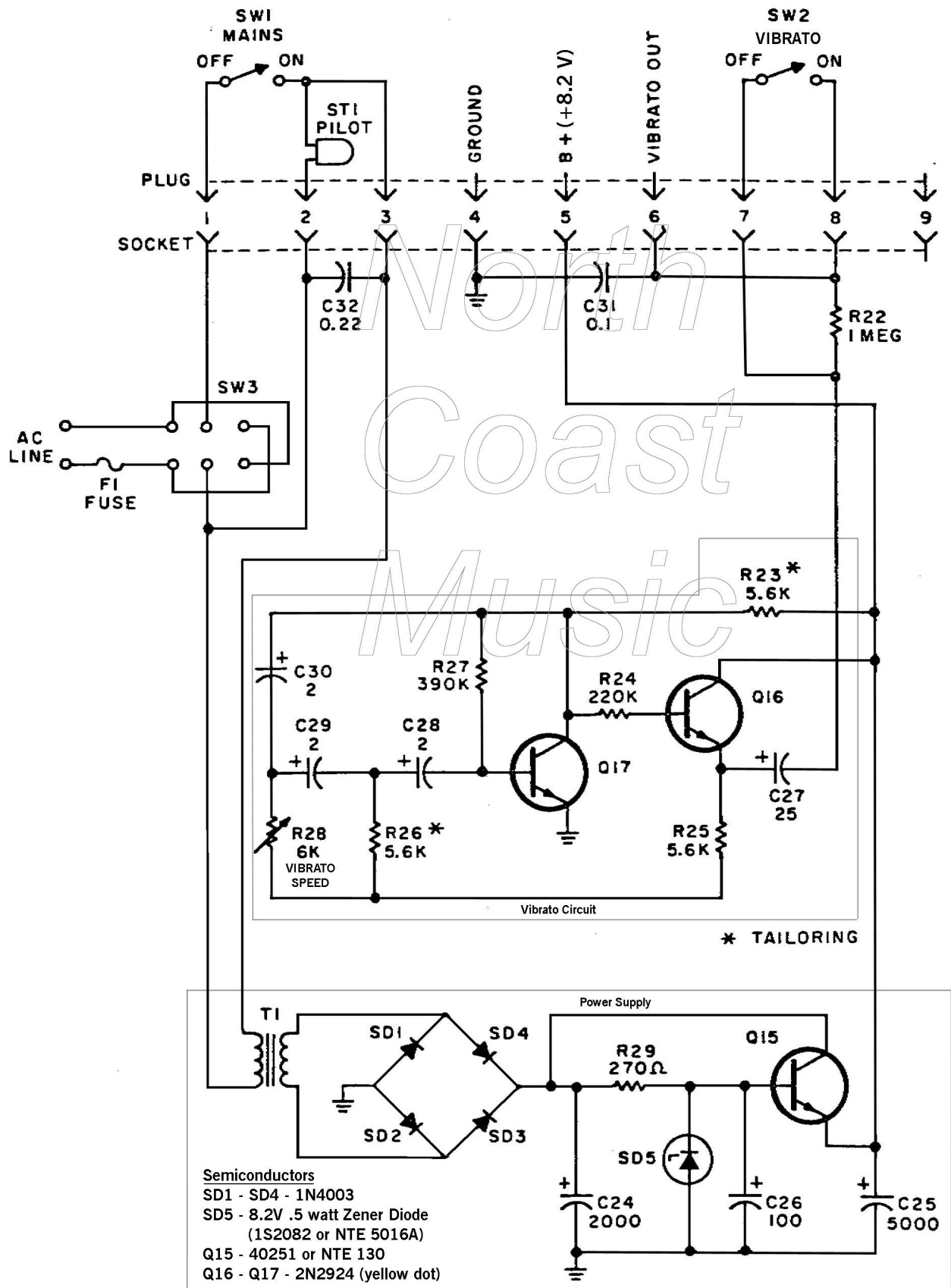


Semiconductors
 Q18 - Q19 - 2N2924 or NTE85
 (Thomas organ yellow dot)

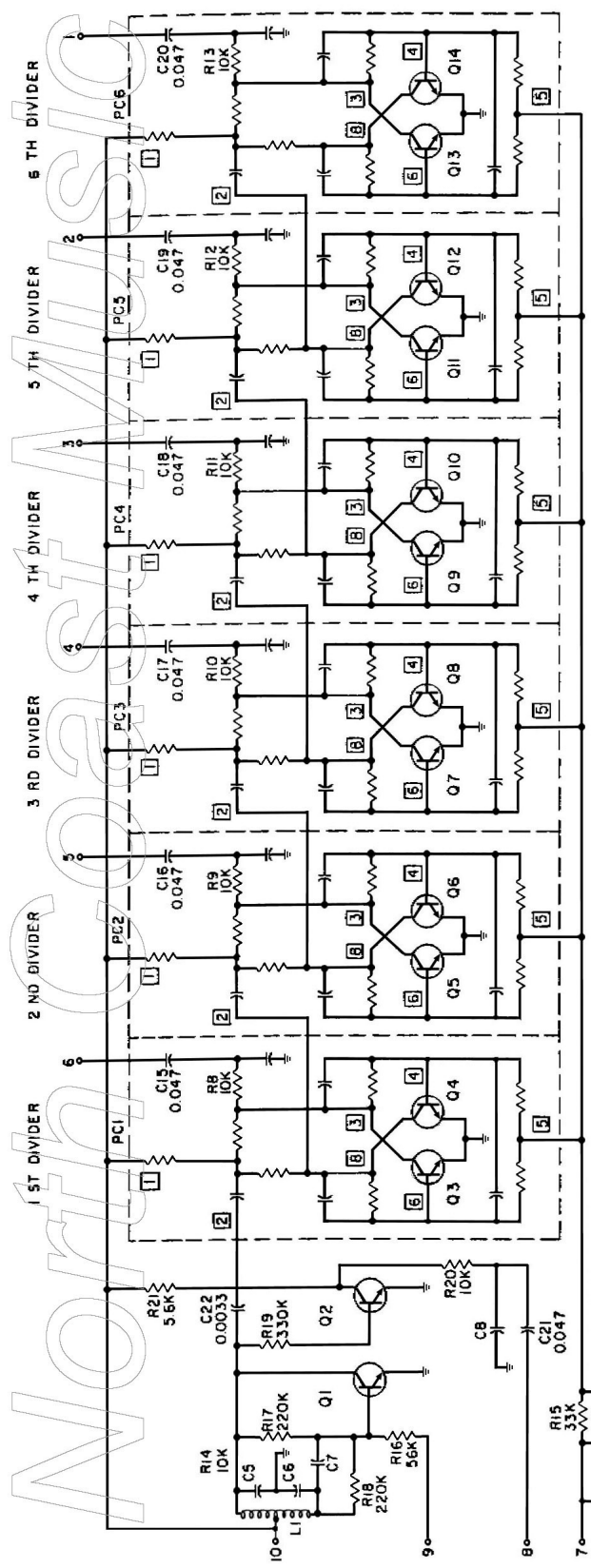
V301H Drawbar and Audio Preampifier Circuits

Digital Remastering and Additions: Copyright 2009 North Coast Music.
 All rights reserved. No duplication, publication, or resale of this schematic
 is permitted without the previous written consent of North Coast Music.

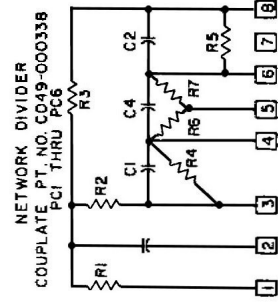


Digital Remastering and Additions: Copyright 2009 North Coast Music. All rights reserved, no duplication, publication, or resale of this schematic is permitted without the previous written consent of North Coast Music.

Vox V301H Continental Organ Power Supply and Vibrato Circuit



- PLUG LEGEND:
- 1 - 6 TH DIVIDER OUTPUT
 - 2 - 5 TH DIVIDER OUTPUT
 - 3 - 4 TH DIVIDER OUTPUT
 - 4 - 3 RD DIVIDER OUTPUT
 - 5 - 2 ND DIVIDER OUTPUT
 - 6 - 1 ST DIVIDER OUTPUT
 - 7 - GROUND
 - 8 - MASTER OSC INPUT SIGNAL
 - 9 - VIBRATO INPUT SIGNAL
 - 10 - B+



- R1 - 2.7K ±10%
- R2, R3 - 4.7K ±10%
- R4, R5 - 33K ±10%
- R6, R7 - 3.3K ±10%
- C1, C2, C3 - 0.002 MFD ±20%
- C4 - 0.001 MFD ±20%

TABULATED QUICK REFERENCE CHART

	L1	C5, C6	C7	C8	C9	C10	C11	C12	C13	C14	Q1, Q2	Q3 THRU Q14
C	300	0.015	0.0033	0.0033	0.0047	0.0068	0.015	0.022	0.047	0.1	2N2924 or equivalent (yellow dot)	6019-003901 or equivalent (orange dot)
C#		0.015	0.0033	0.0033								
D		0.012	0.0027	0.0027								
D#		0.012	0.0027	0.0027								
E		0.01	0.0022	0.0022	0.0022	0.0047	0.01					
F		0.01	0.0022	0.0022								
F#	200	0.0082	0.0018	0.0018								
G		0.0082	0.0018	0.0018								
G#		0.0068	0.0018	0.0018	0.0015	0.0033	0.0068	0.015	0.033	0.068		
A		0.0068	0.0018	0.0018								
A#		0.0056	0.0015	0.0015								
B		0.0015	0.0015	0.0015								

Digital Remastering and Additions: Copyright 2008 North Coast Music. All rights reserved. No duplication, publication, or resale of this schematic is permitted without the previous written consent of North Coast Music.