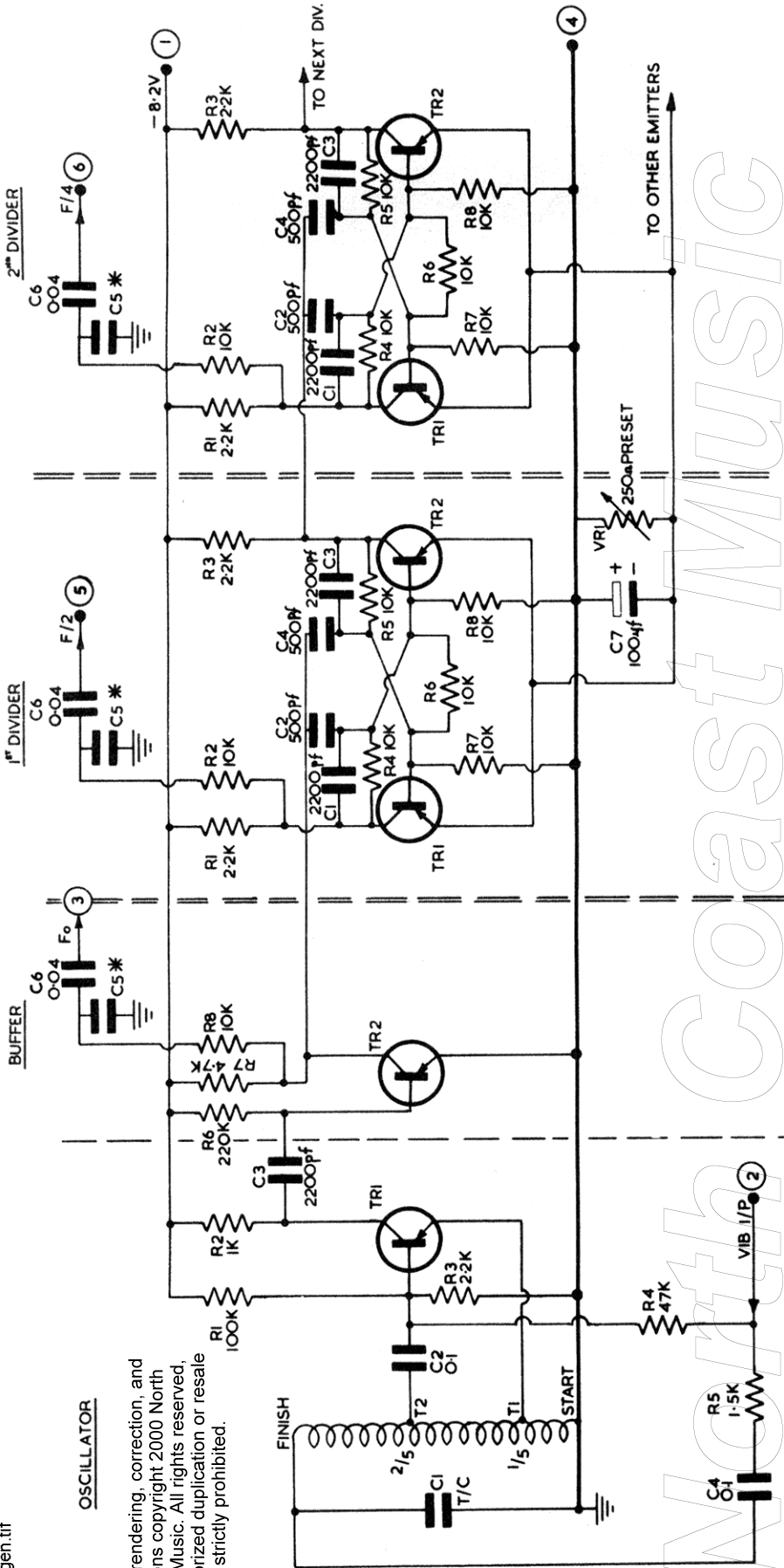


**OSCILLATOR**

Digital rendering, correction, and additions copyright 2000 North Coast Music. All rights reserved, unauthorized duplication or resale strictly prohibited.



FOR COMPONENT LAYOUT SEE DRG. TO/O49

- NOTE .1. FOR T/C SEE DATA.] TO/O36
- 2. FOR COIL SEE DATA.] TO/O36
- 3. \* SEE CHART. TO/O37

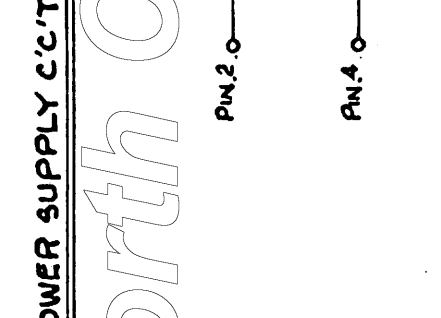
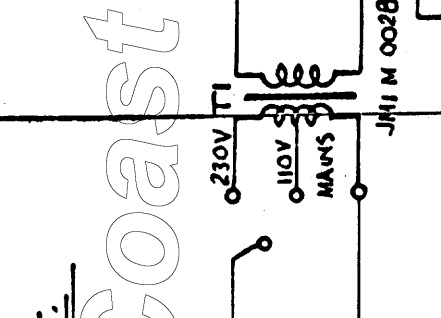
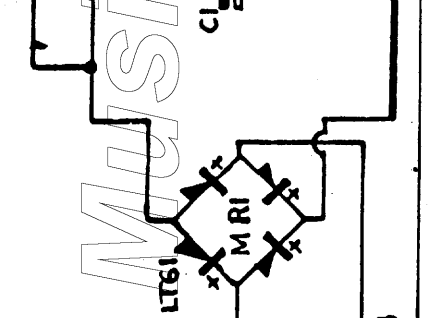
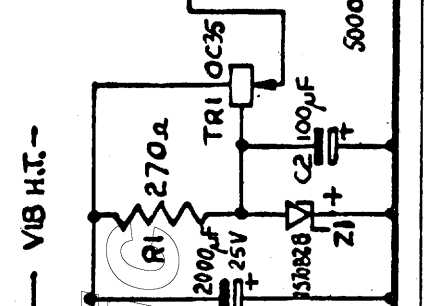
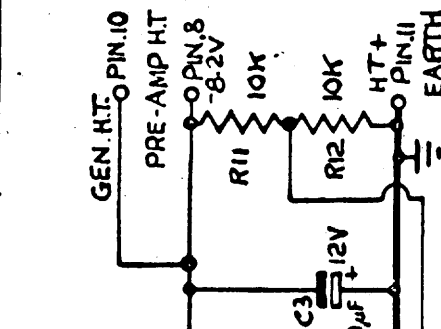
TRI	OC71
TR2	AC115
	AC155
	2G371B

IF 2G371B ARE USED, R6 IS OMITTED IN DIVIDER  
C1 & C3 IS INCREASED TO 6800pf

REDAWN 6-6-66	CHANGES	155
	SCALE	
	MAT.	
	FIN.	
	TOL.	RES. 5% CAP. 10%
CONTINENTAL ORGAN GENERATORS AND DIVIDERS 7 OCTAVE		OS/O27
JENNINGS MUSICAL INDUSTRIES LTD DARTFORD. KENT. ENGLAND.		
DRN.	CHK.	APR.
		<i>R. S. Lister</i>

North Coast Music

CHANGES:  
 ISSUE 1.  
 28-2-63  
 100.0, 1000.0 F  
 ADDED CA.  
 ISSUE 2  
 21.3 C3  
 RT & R12 ADJ  
 R8 & R10 DEL'D  
 C9 DEL'D  
 110V MAINS ADJ  
 MS. 3. 21-5-63  
 R10 WAS M.I.  
 100.0  
 ISS. 4. 2-5-9-64  
 &A.



1. POWER SUPPLY C.C.T.

2. VIBRATO C.C.T.

Digital remastering, additions,  
 and corrections copyright 2000  
 North Coast Music. All rights  
 reserved, unauthorized  
 duplication or resale strictly  
 prohibited.

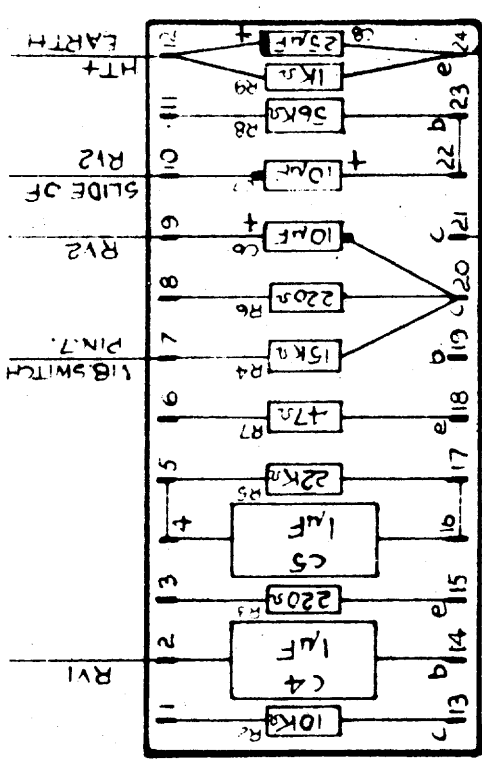
JENNINGS MUSICAL INDUSTRIES LTD  
 POWER SUPPLY & VIBRATO  
 C.C.T. FOR TRANS. ORGAN

ORN. M.T. CHKD. 1/2  
 DES APP. ENG APP.  
 SERVICE SHEET.

CHANGES  
ISSUE 1  
13 63

JENNINGS MUSICAL INDUSTRIES LTD  
**COMPONENT BOARD FOR  
 VIB. POWER PACK**  
**OS-029**  
 DR. A. J. COMPTON  
 DES. APP. EN. I.M.E.

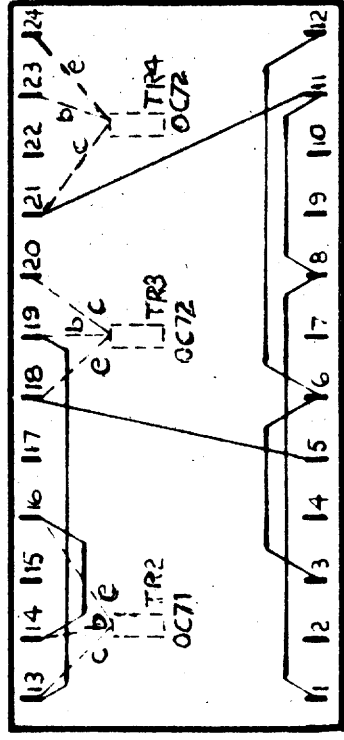
SERVICE SHEET



TRANSISTOR LEAD OUT  
 WIRES TO BE SLEEVED, WITH  
 COLOURS AS SHOWN



North Coast Music



VIEW SHOWING UNDERSIDE  
 WIRING & TRANSISTOR POSITIONS

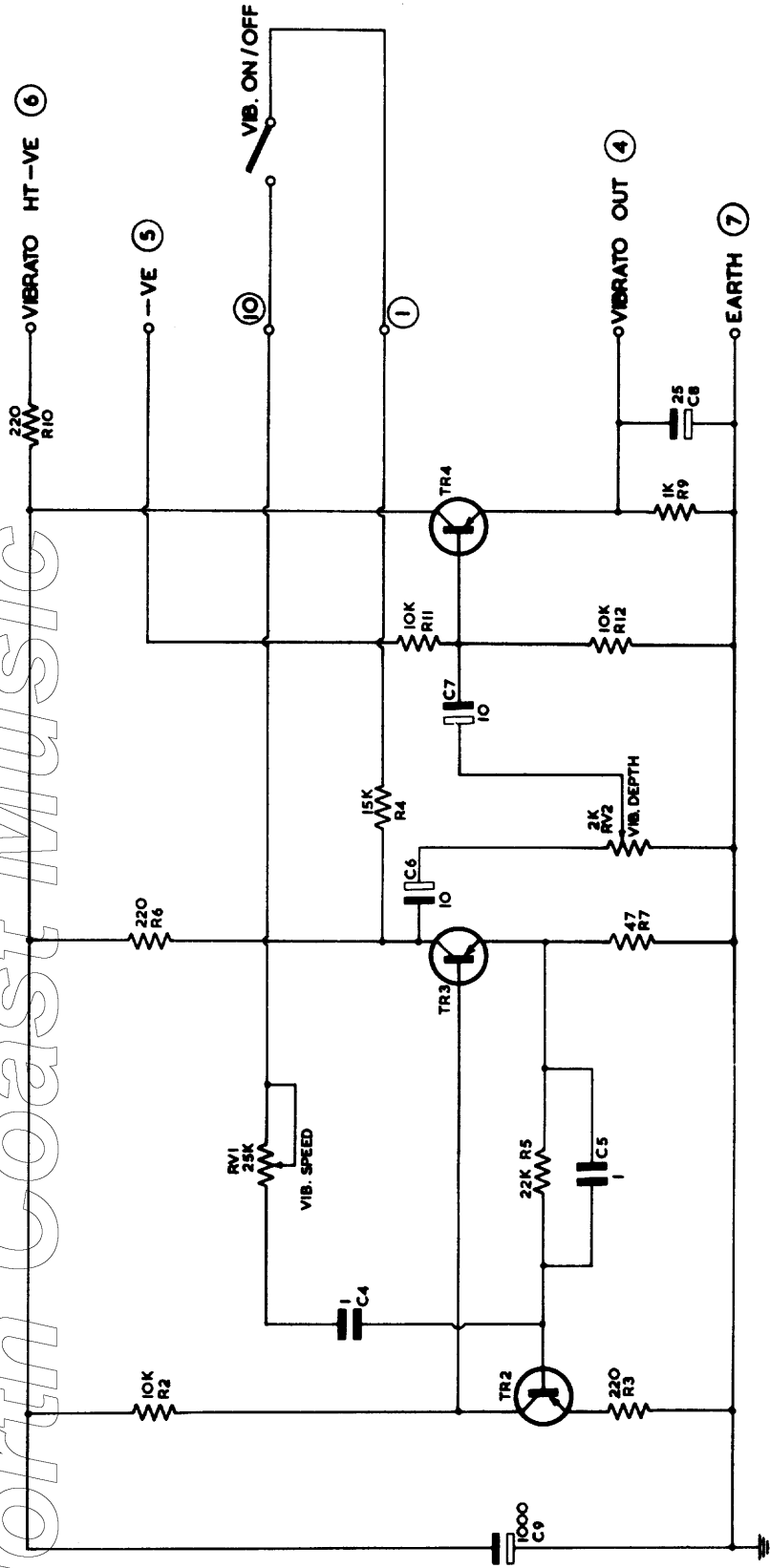
Digital remastering, additions,  
 and corrections copyright 2000  
 North Coast Music. All rights  
 reserved, unauthorized  
 duplication or resale strictly  
 prohibited.



DRG. NO. OS/124

ALL CAPACITORS IN MFDS UNLESS OTHERWISE STATED.  
 ALL RESISTORS IN OHMS UNLESS OTHERWISE STATED.  
 FOR VIBRATO UNIT COMP. LAYOUT JMI.47 SEE DRG No TO/O52

North Coast Music



SCALE	CONTINENTAL ORGAN	DRN.	P. J. D. L.
MAT.	VIBRATO UNIT	CHK.	P. J. D. L.
FIN.		APP.	
TOL.	RESISTORS ± 5% CAPACITORS ± 10%	DRG. NO.	OS/124
CHANGES			
27-4-66	JENNINGS MUSICAL INDUSTRIES LTD		
	DARTFORD, KENT, ENGLAND.		



