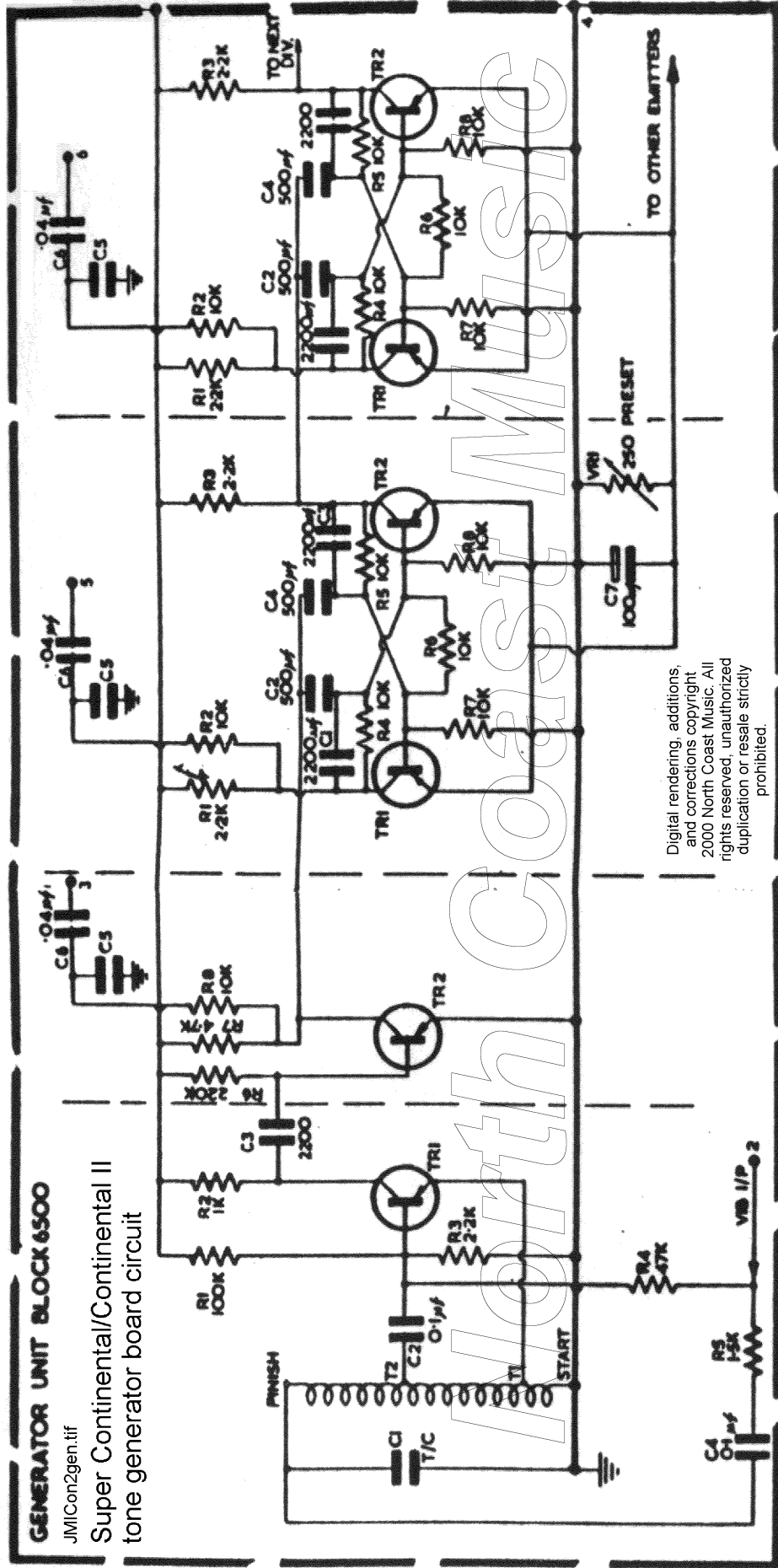




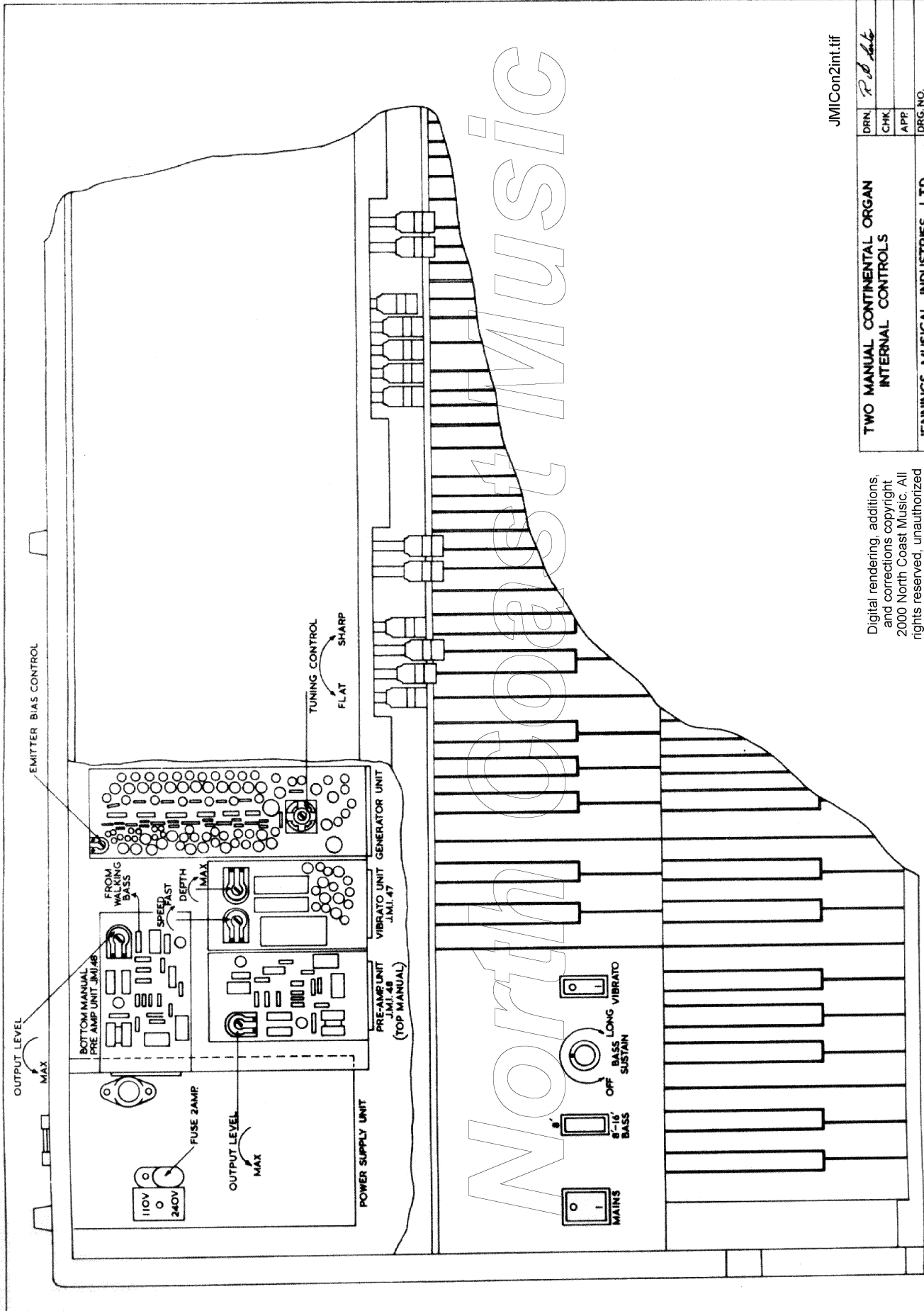
# GENERATOR UNIT BLOCK6500

JM1Con2gen.tif

## Super Continental/Continental II tone generator board circuit



Digital rendering, additions,  
and corrections copyright  
2000 North Coast Music. All  
rights reserved, unauthorized  
duplication or resale strictly  
prohibited.



North Coast Music

JMIcon2int.tif

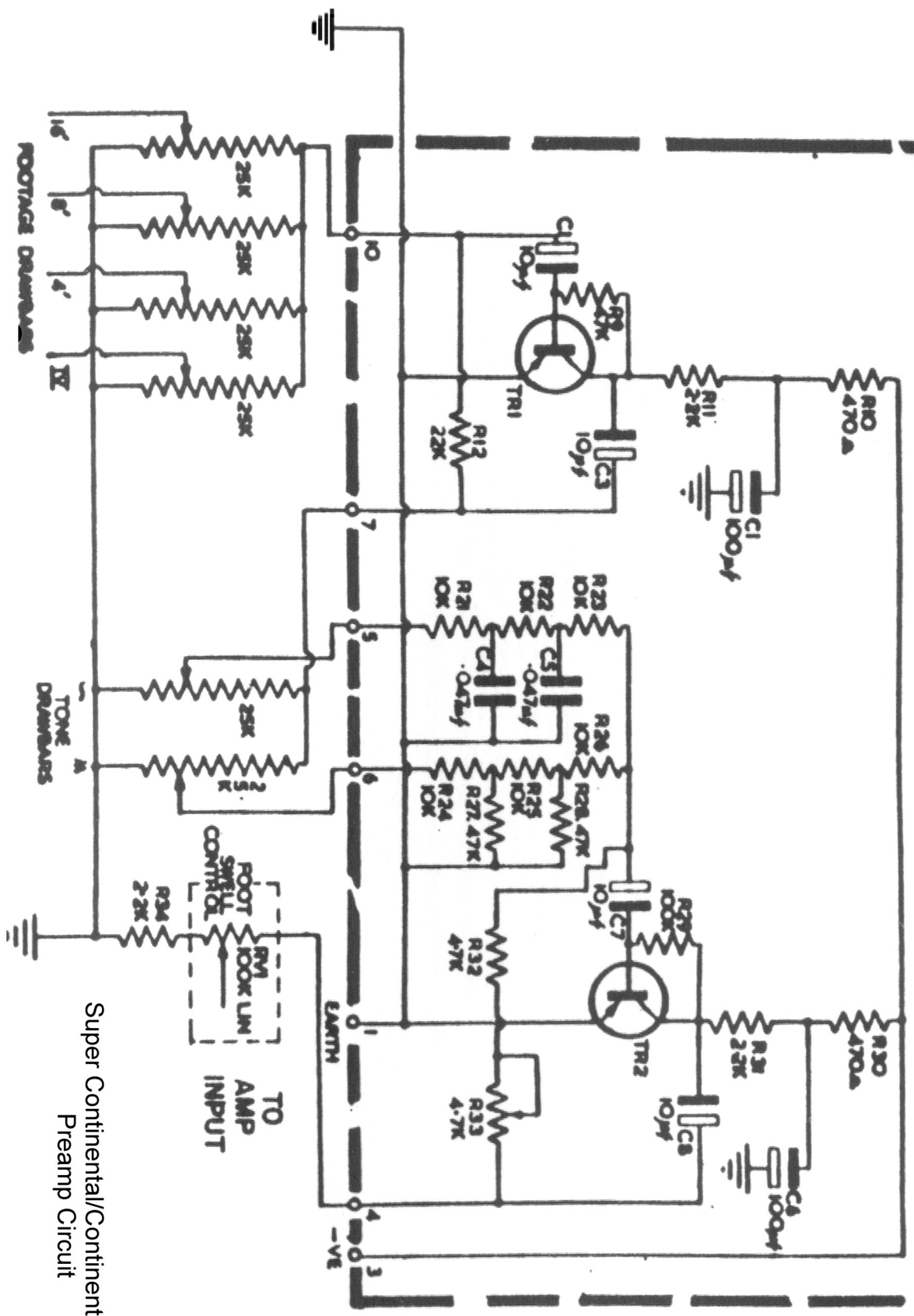
DRN	<i>P. D. L. L.</i>
CHK	
APP	
DRG. NO.	TMO/007

TWO MANUAL CONTINENTAL ORGAN  
INTERNAL CONTROLS

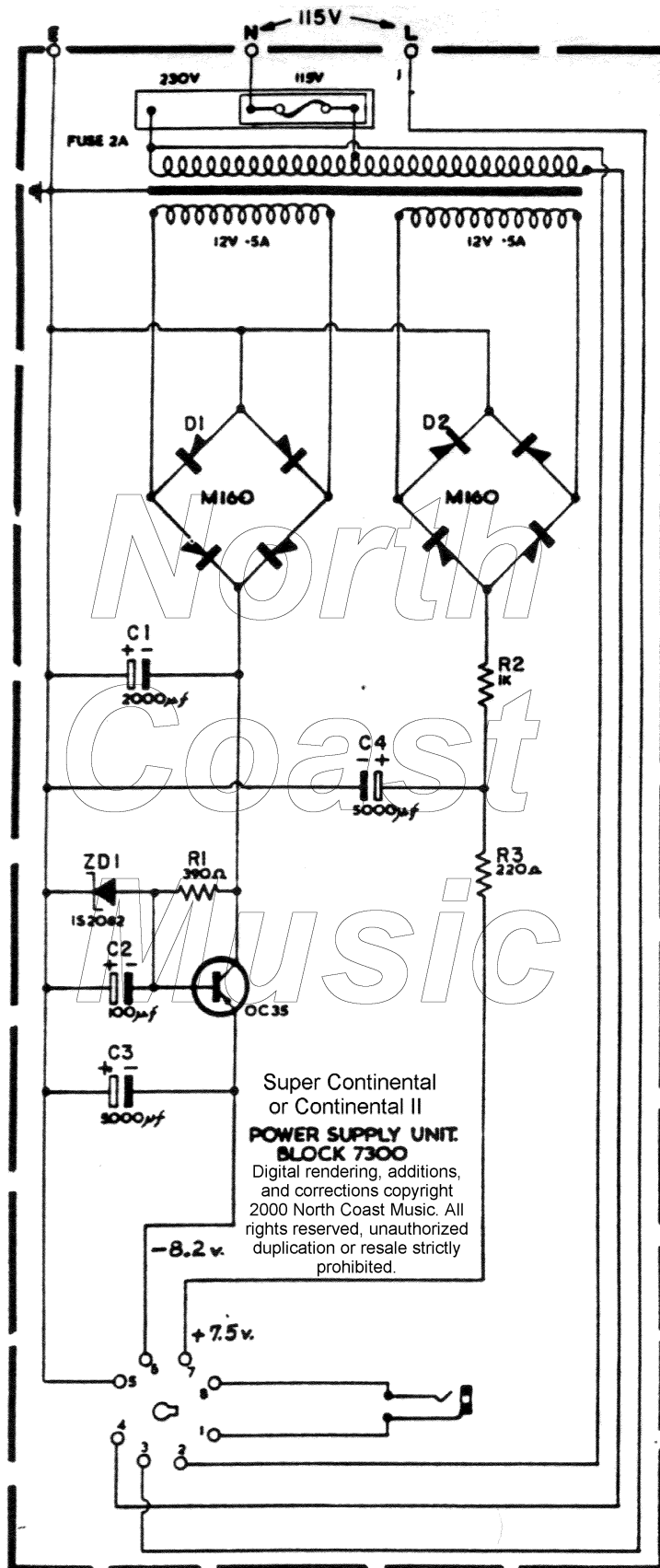
JENNINGS MUSICAL INDUSTRIES LTD.  
DARTFORD, KENT, ENGLAND.

Digital rendering, additions,  
and corrections copyright  
2000 North Coast Music. All  
rights reserved. Unauthorized  
duplication or resale strictly  
prohibited.

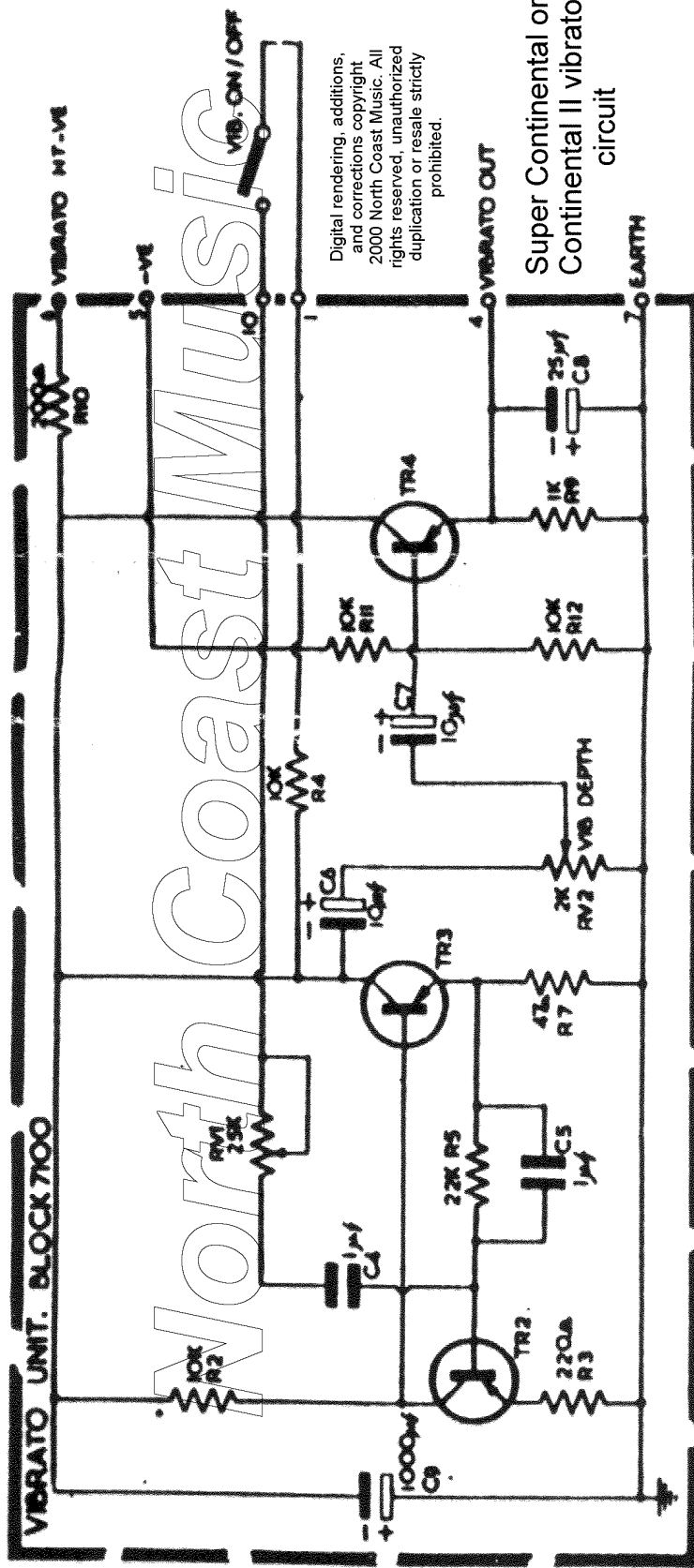
PRE-AMPLIFIER UNIT, BLOCK 7200



Super Continental/Continental II  
Preamp Circuit



Super Continental  
 or Continental II  
**POWER SUPPLY UNIT**  
**BLOCK 7300**  
 Digital rendering, additions,  
 and corrections copyright  
 2000 North Coast Music. All  
 rights reserved, unauthorized  
 duplication or resale strictly  
 prohibited.



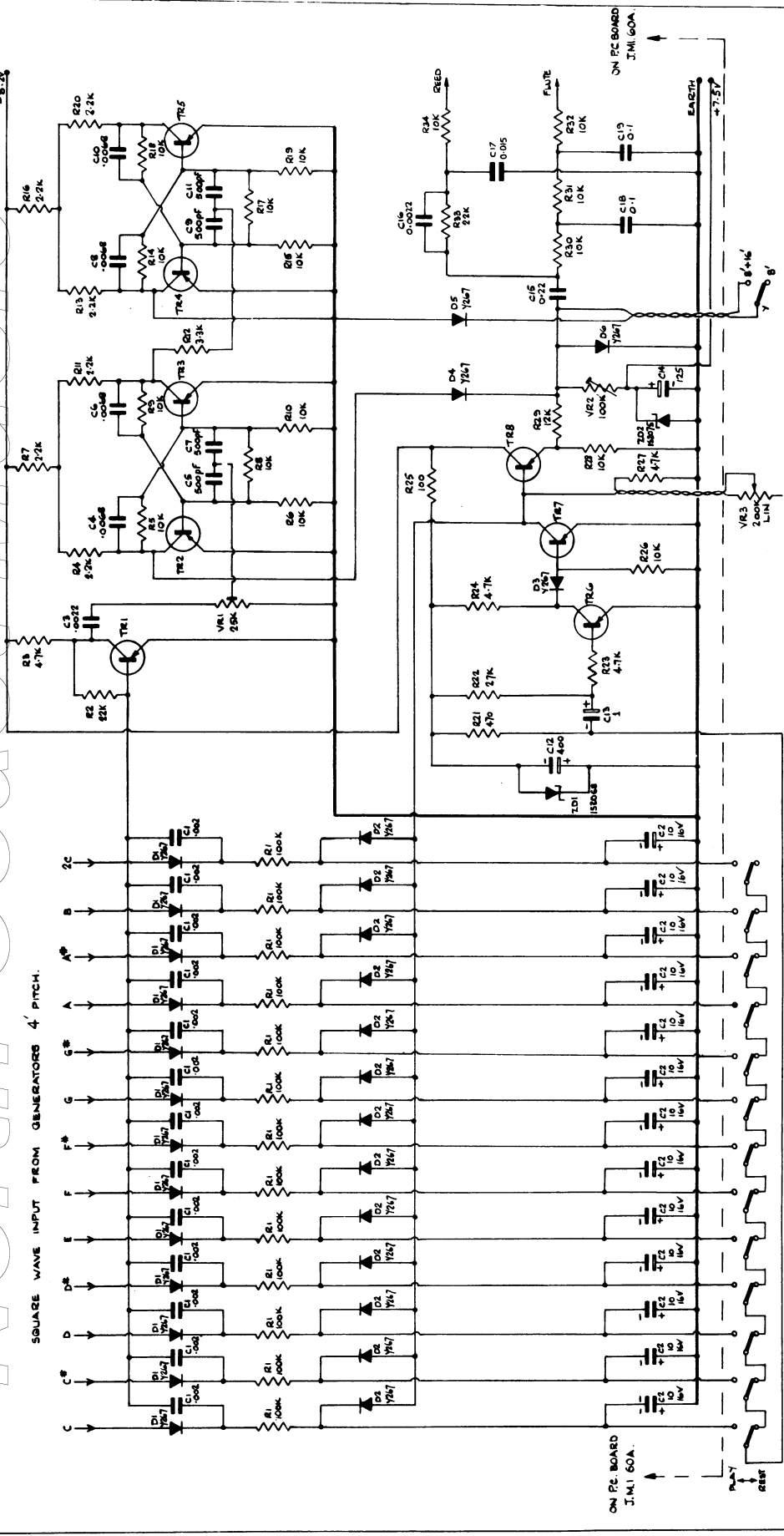
Digital rendering, additions, and corrections copyright 2000 North Coast Music. All rights reserved, unauthorized duplication or resale strictly prohibited.

Super Continental or Continental II vibrato circuit

JMIcon2-vib.tif

# North Coast Music

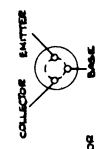
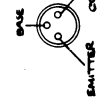
DRG NO  
05/095



Digital rendering and corrections  
copyright North Coast Music 2000.  
All rights reserved, no unauthorized  
duplication or resale allowed.

FOR WALKING BASS UNIT COMP. LAYOUT JMI160A SEE DRG NO TMO/002

ALL TRANSISTORS EITHER AC113 OR 2G3718 ~ IF 2G3718 ARE USED, R8 & R7 ARE OMITTED.  
ALL CAPACITORS IN MFDS UNLESS OTHERWISE STATED.  
ALL RESISTORS IN OHMS UNLESS OTHERWISE STATED.



SCALE	17-1-65	CHANGES	2	TOL.	1
SCALE	17-1-65	CHANGES	2	TOL.	1
TITLE	CONT. ORGAN ~ 2 MANUAL ~ WALKING BASS UNIT				
DRN	JENNINGS MUSICAL INDUSTRIES LTD DARTFORD, KENT.				
CHK	05/095				
APP	05/095				
DRG NO	05/095				