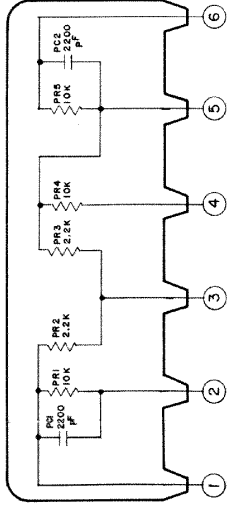


PC 101



TONE GENERATOR COUPLATE

Digital rendering, additions, and corrections copyright 2000 North Coast Music. All rights reserved. Unauthorized duplication or resale strictly prohibited.

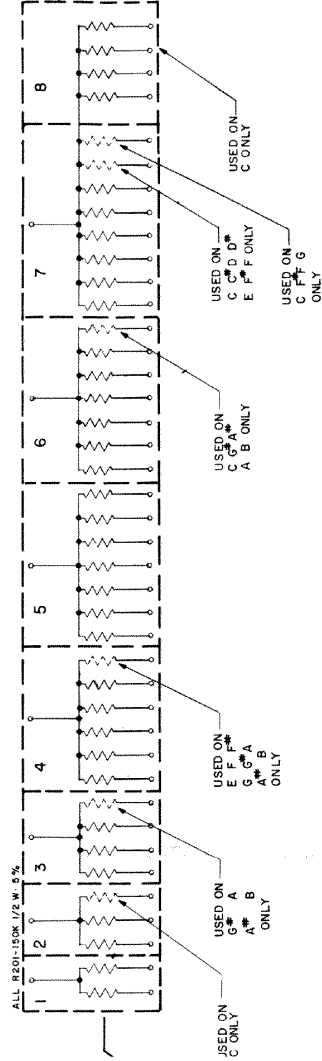
North Coast Music

MASTER OSCILLATOR COIL, CAP CHART *

NOTES	L101	C102	C108	C112	C116	C120	C124	C128
C #	09-150H-0	.1	.0068	.015	.033	.068	.1	.15
D #	09-150H-0	.1	.0068	.015	.033	.068	.1	.15
E #	09-150H-0	.088	.0047	.01	.022	.047	.083	.12
F #	09-150H-0	.068	.0047	.01	.022	.047	.083	.12
G #	09-150H-0	.047	.0047	.01	.022	.047	.083	.12
A #	09-150H-0	.033	.0033	.0068	.015	.033	.068	.1
B	09-150H-0	.033	.0033	.0068	.015	.033	.068	.1

* BASS CIRCUIT (IC NO. 31)
SIGNAL TO UPPER MANUAL (SCHEMATIC NO. 2)

SIGNAL DISTRIBUTION BOARD DETAIL



SCHEMATIC NO. 1



© 1989
NATIONAL SERVICE DEPARTMENT
SERRA, CALIFORNIA 91343

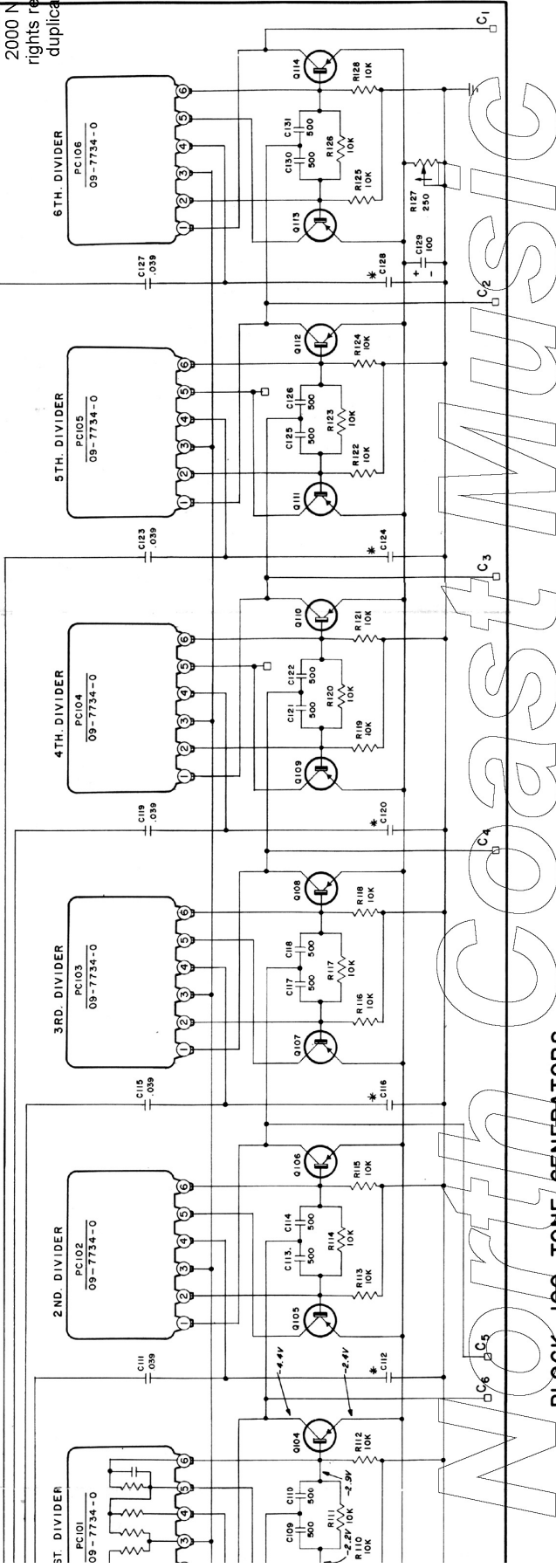
CONTINENTAL BAROQUE

V305

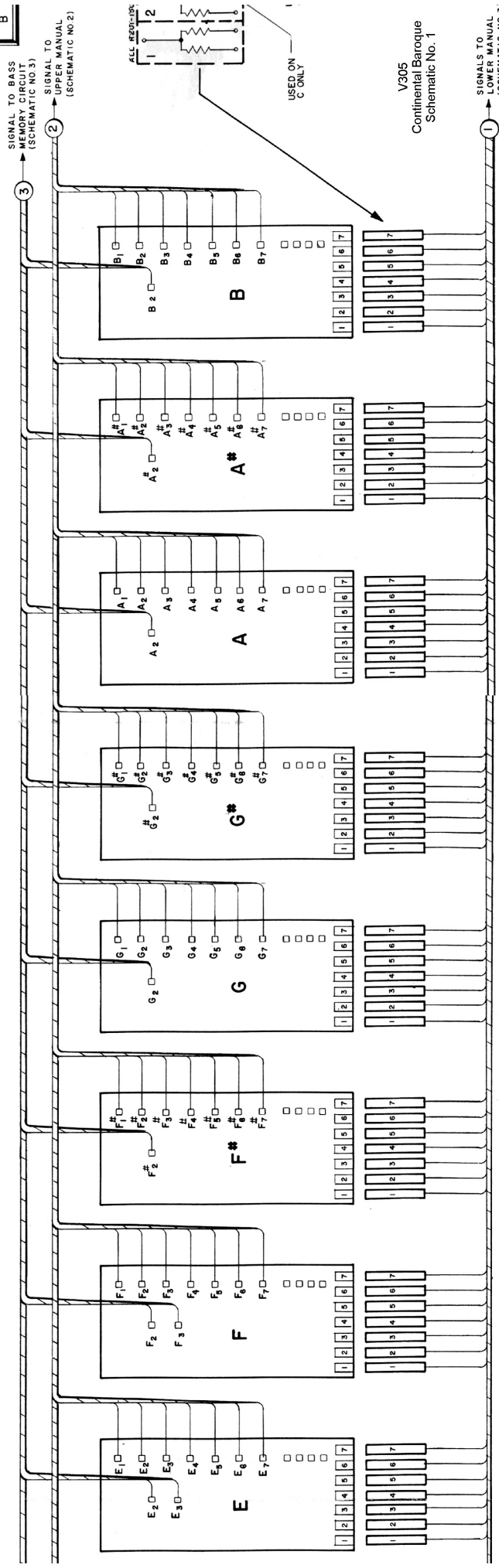
SIGNALS TO LOWER MANUAL (SCHEMATIC NO. 3)

Digital rendering, additions, and corrections copyright 2000 North Coast Music. All rights reserved, unauthorized duplication or resale strictly prohibited.

NOTI
C
C
D
D
E
F
F
G
G
A
A
B



BLOCK 100 TONE GENERATORS



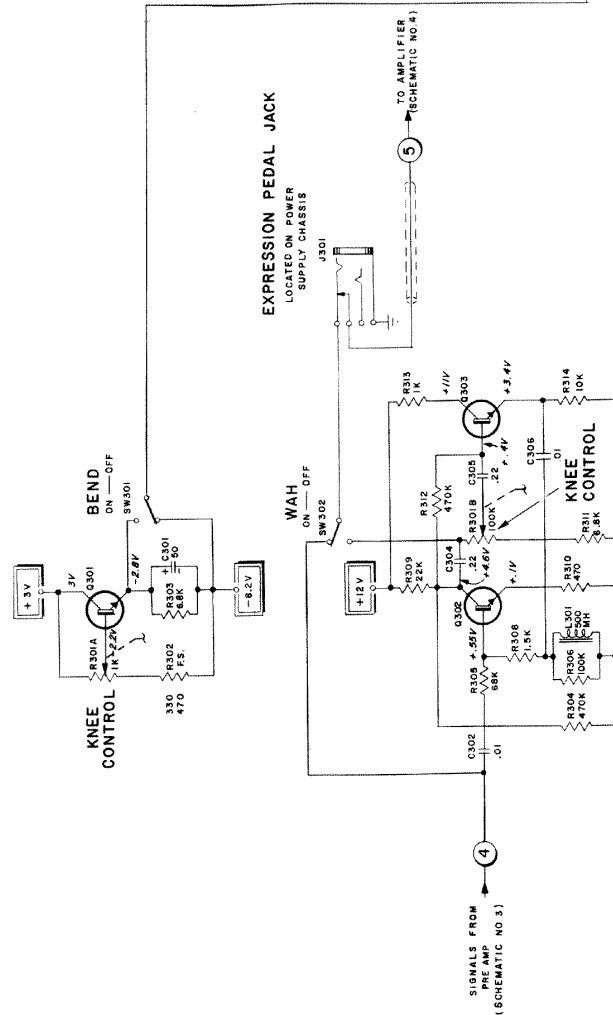
BLOCK 200 SIGNAL DISTRIBUTION

V305 Schematic 1B

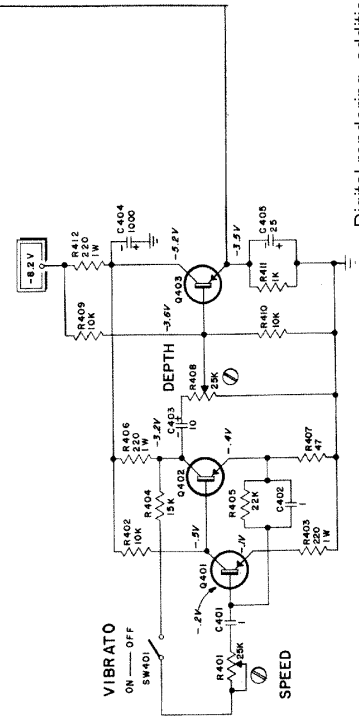
V305 Continental Baroque Schematic No. 1

SIGNALS TO LOWER MANUAL (SCHEMATIC NO. 3)

**BLOCK 300
BEND-WAH**

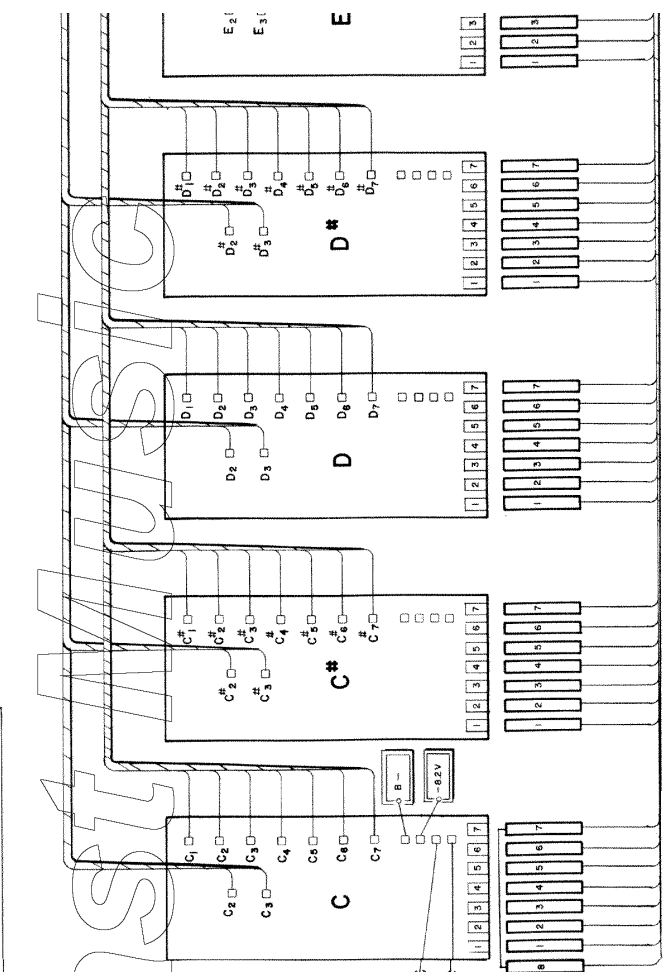
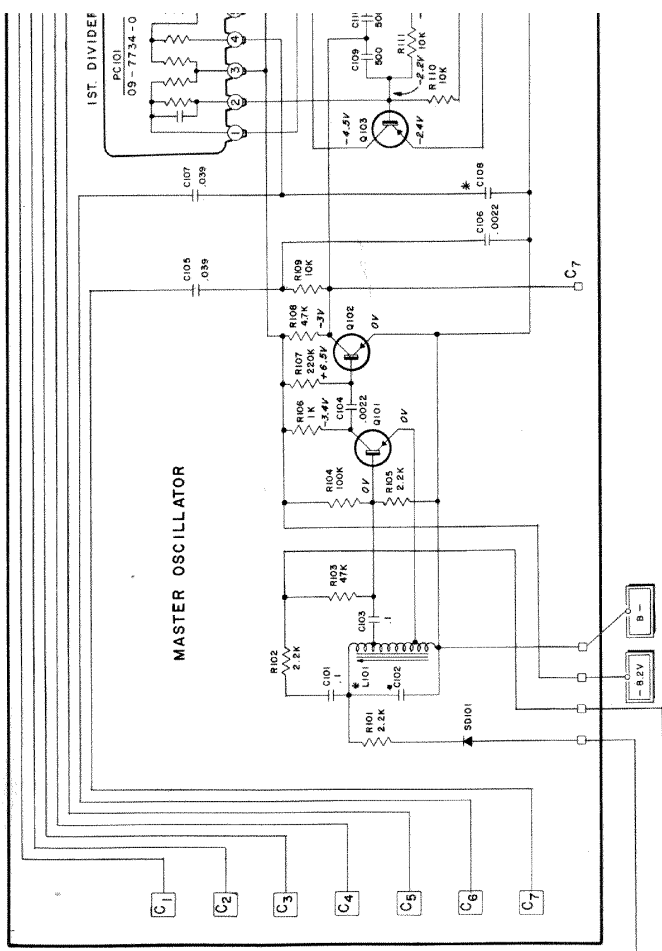


**BLOCK 400
VIBRATO**



Digital rendering, additions,
and corrections copyright
2000 North Coast Music. All
rights reserved, unauthorized
duplication or resale strictly
prohibited.

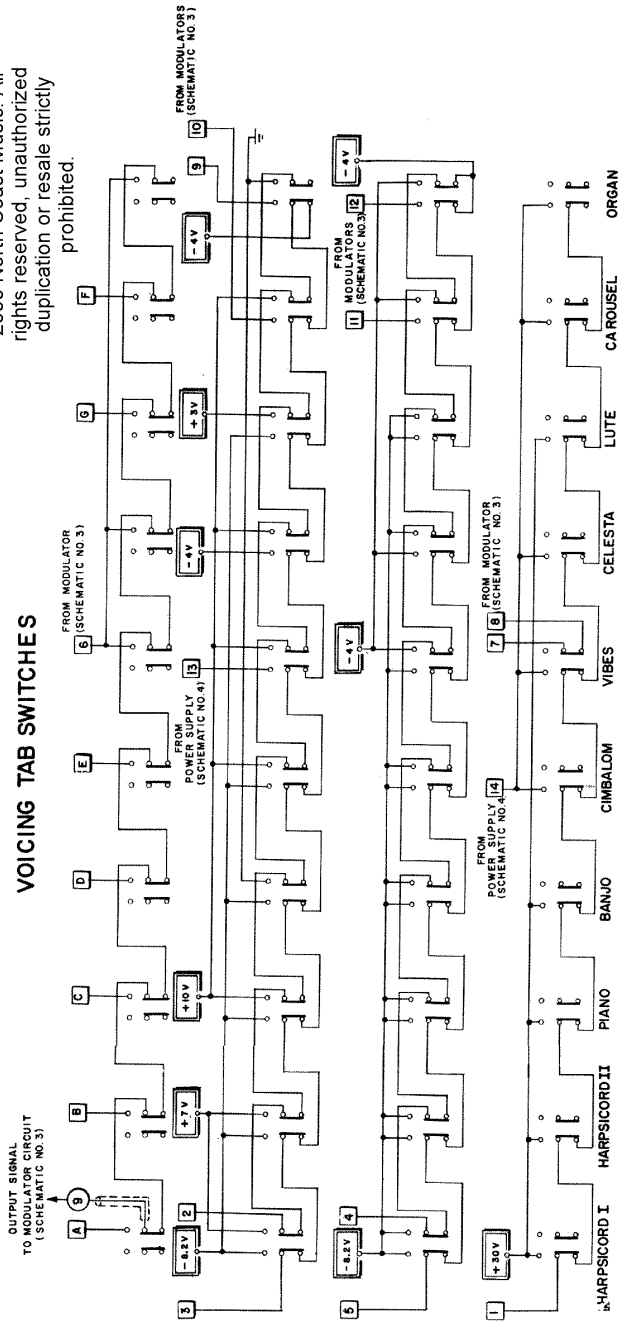
V305 Schematic 1C



North Coast Music

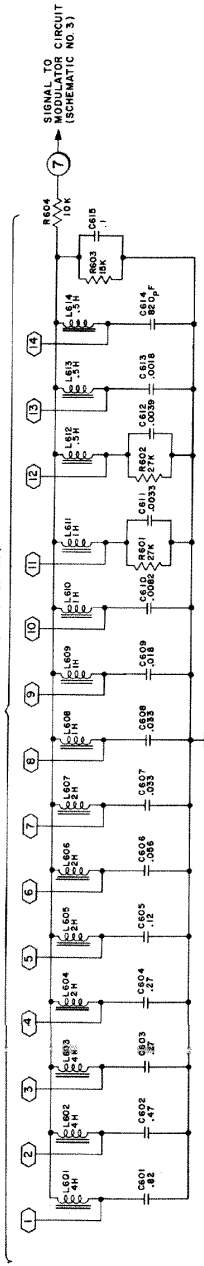
Digital rendering, additions, and corrections copyright 2000 North Coast Music. All rights reserved, unauthorized duplication or resale strictly prohibited.

VOICING TAB SWITCHES



BLOCK 600 VOICING

JUMPERS TO SOLO REVER (THIS SCHEMATIC)



VOLTAGES FROM HARPSCICORD I TAB SWITCH (THIS SCHEMATIC)

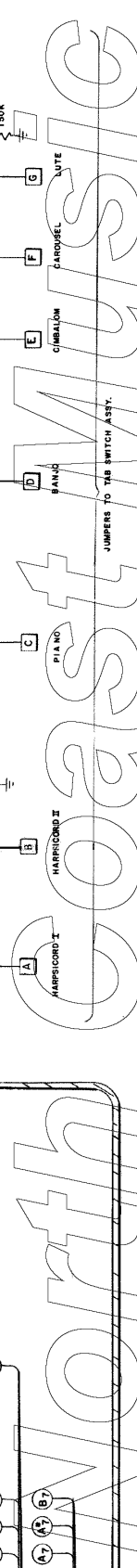
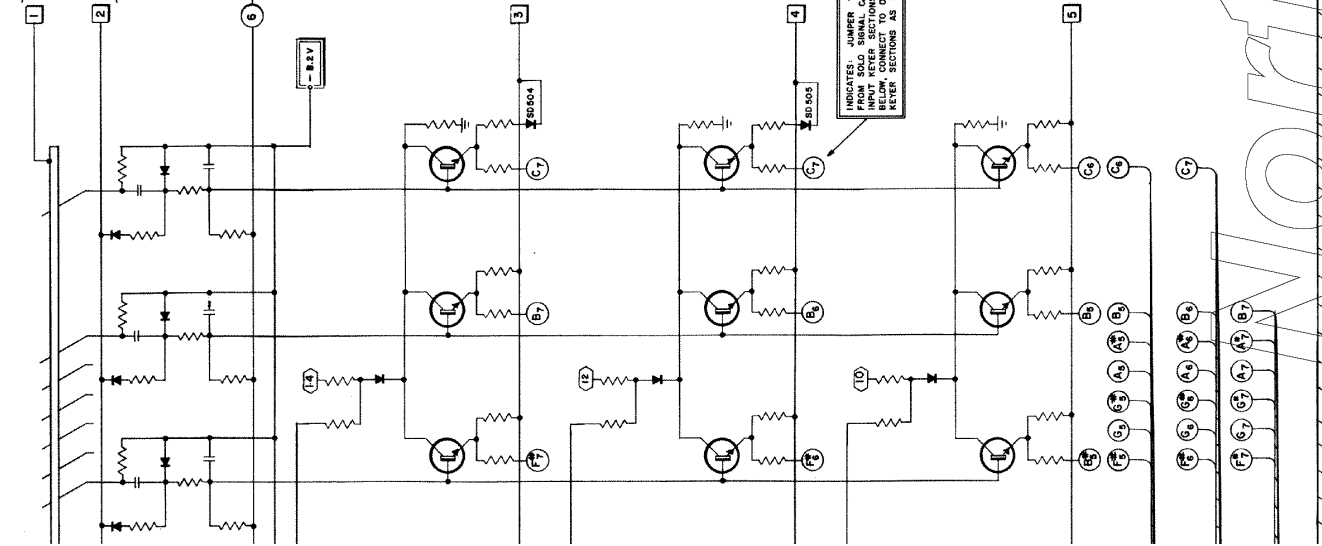
VOLTAGE FROM POWER SUPPLY (SCHEMATIC NO. 4)

VOLTAGES FROM HARPSCICORD I TAB SWITCH (THIS SCHEMATIC)

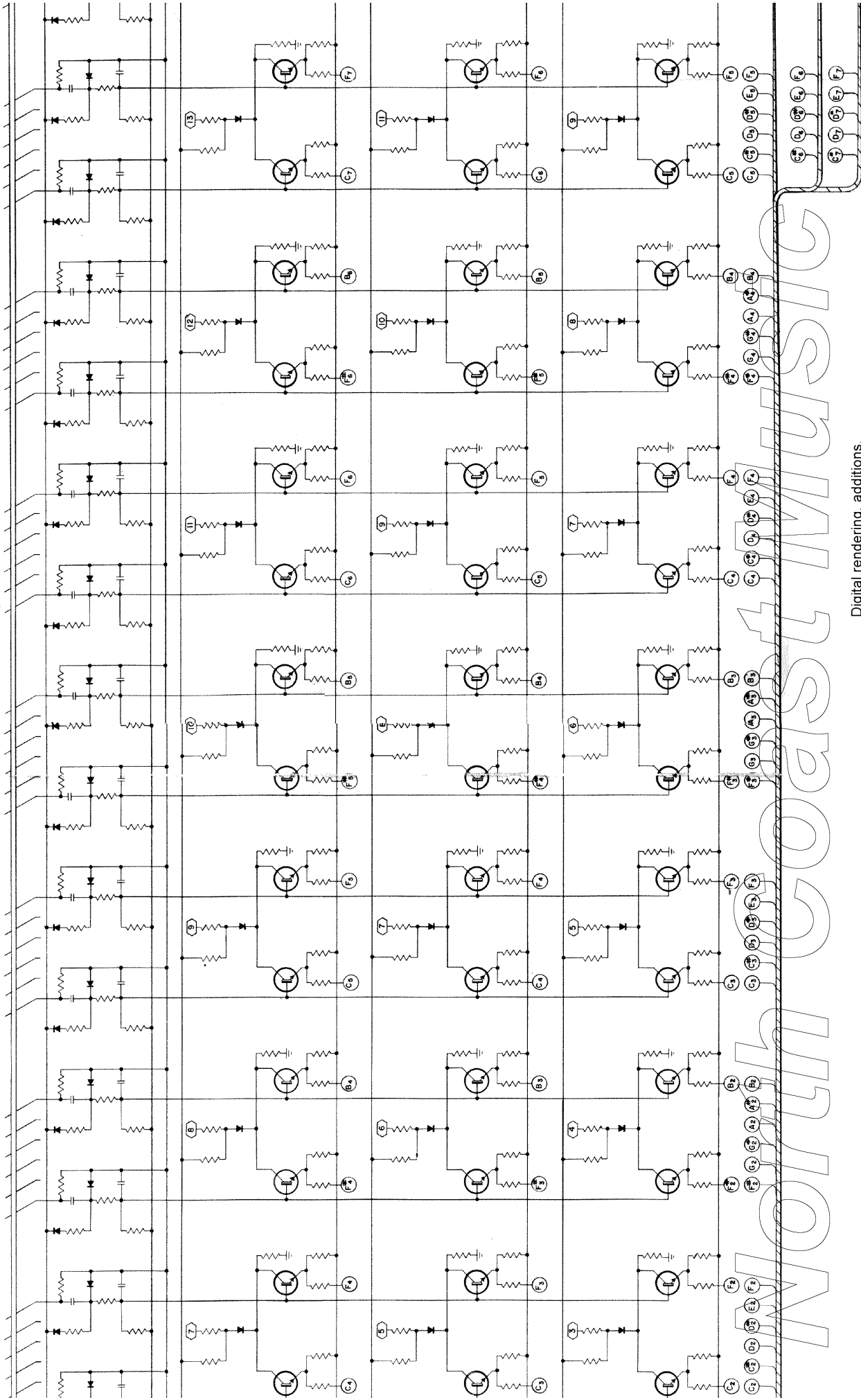
VOLTAGES FROM HARPSCICORD I TAB SWITCH (THIS SCHEMATIC)

VOLTAGES FROM HARPSCICORD I TAB SWITCH (THIS SCHEMATIC)

INDICATES: JUMPER WIRES FROM SOLO SIGNAL CABLE & INPUT KEYS SECTIONS INTO REVER SECTIONS AS SHOWN.

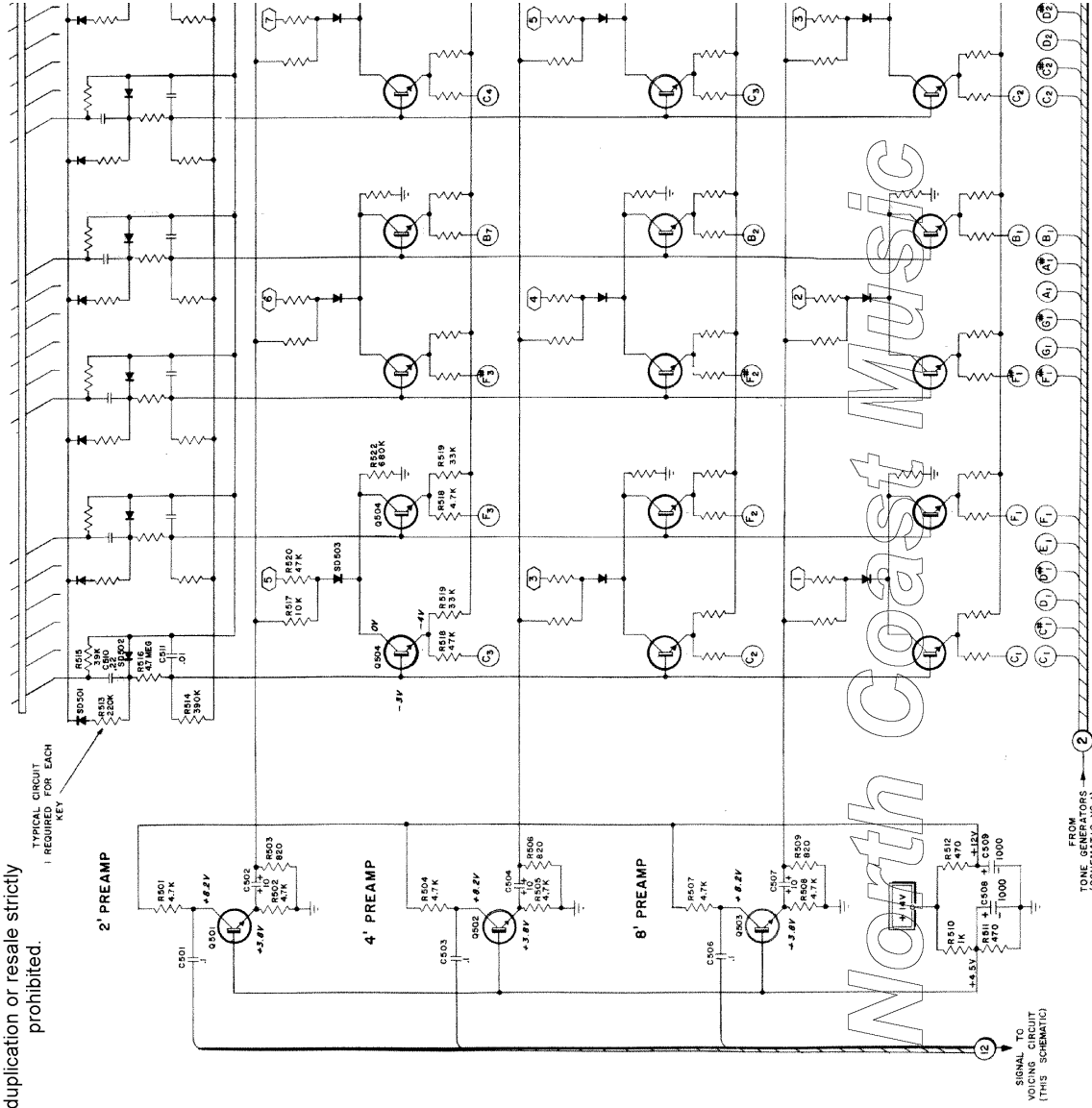


BLOCK 500
SOLO (UPPER) KEYBOARD & KEYS



Digital rendering, additions,
and corrections copyright
2000 North Coast Music. All
rights reserved, unauthorized
duplication or resale strictly
prohibited.

Digital rendering, additions, and corrections copyright 2000 North Coast Music. All rights reserved, unauthorized duplication or resale strictly prohibited.



SCHEMATIC NO. 2



CONTINENTAL BAROQUE

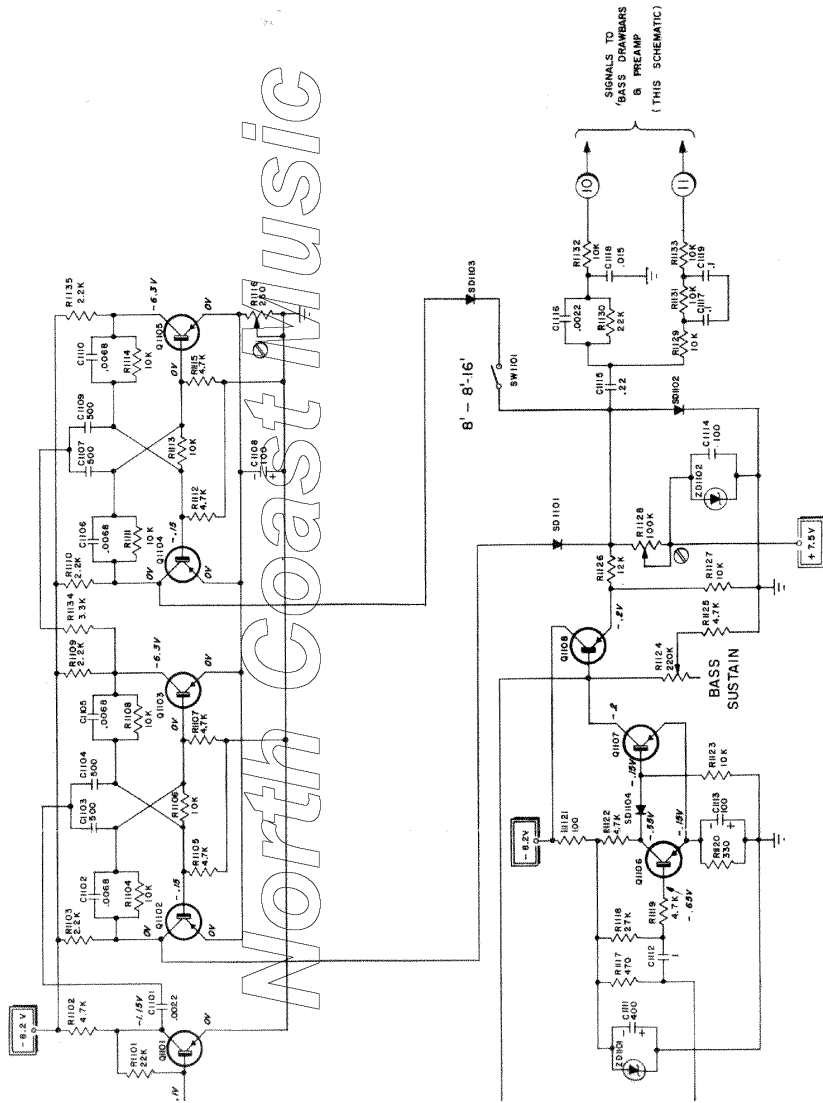
NATIONAL SERVICE DEPARTMENT
 SPARKLE, CALIFORNIA 91340

V305

North Coast Music

Digital rendering, additions,
and corrections copyright
2000 North Coast Music. All
rights reserved, unauthorized
duplication or resale strictly
prohibited.

**BLOCK 1100
BASS DIVIDER**



SCHEMATIC NO. 3

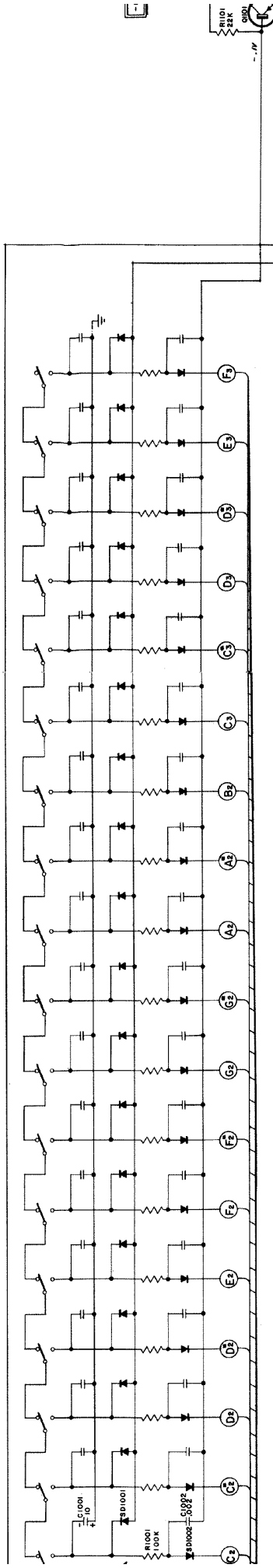


CONTINENTAL BAROQUE

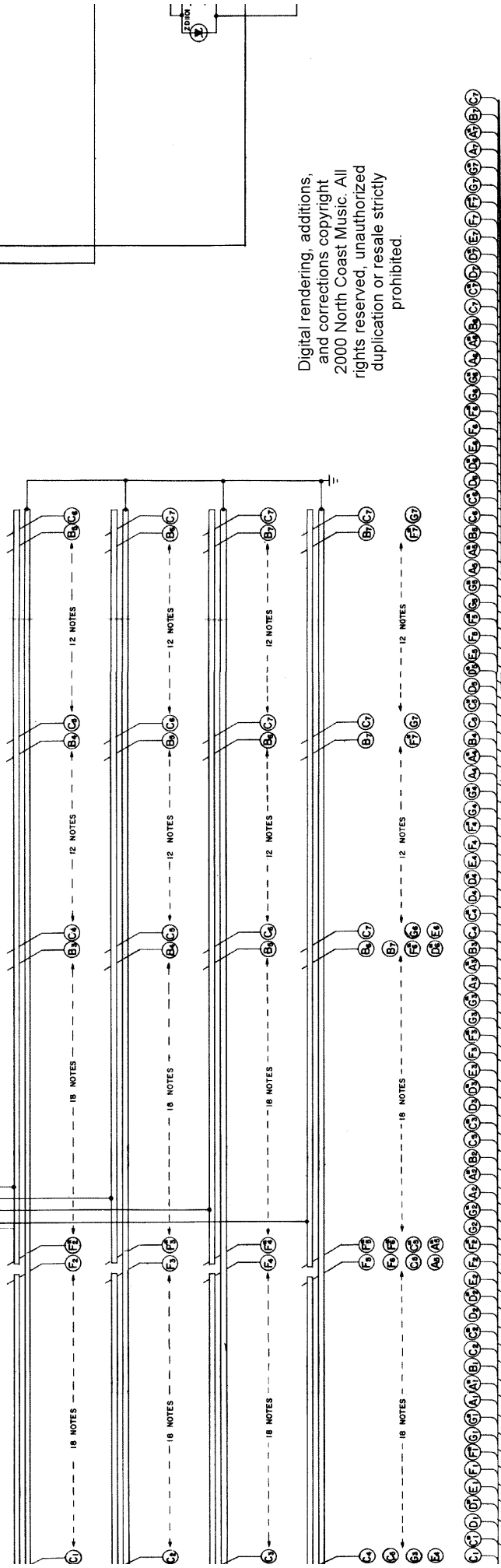
V305

© 1988
NATIONAL SERVICE DEPARTMENT
SERRA, CALIFORNIA 91343

BLOCK 1000
BASS KEYBOARD & MEMORY



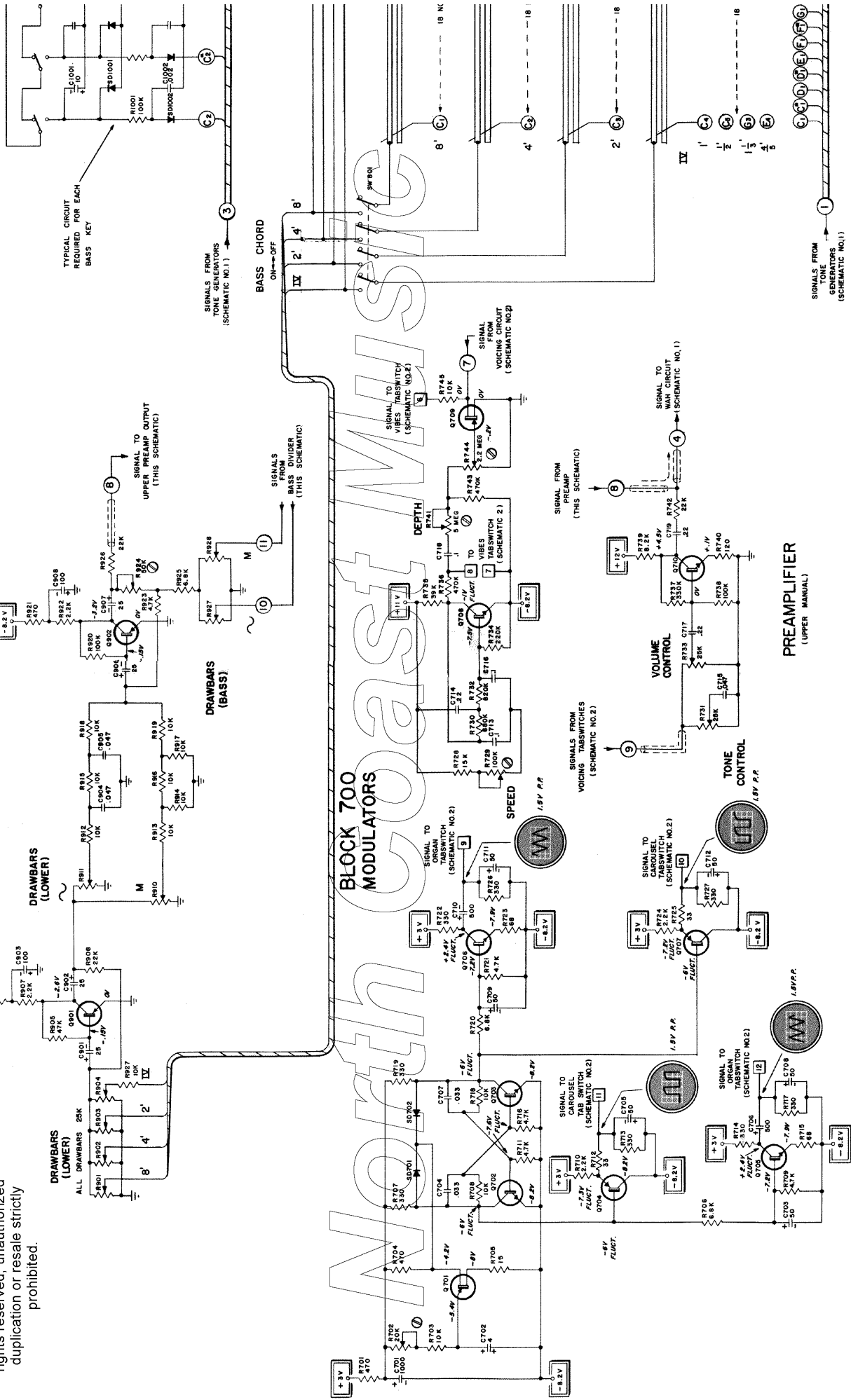
North Coast Music
BLOCK 800
ACCOMPANIMENT KEYBOARD



Digital rendering, additions,
and corrections copyright
2000 North Coast Music. All
rights reserved, unauthorized
duplication or resale strictly
prohibited.

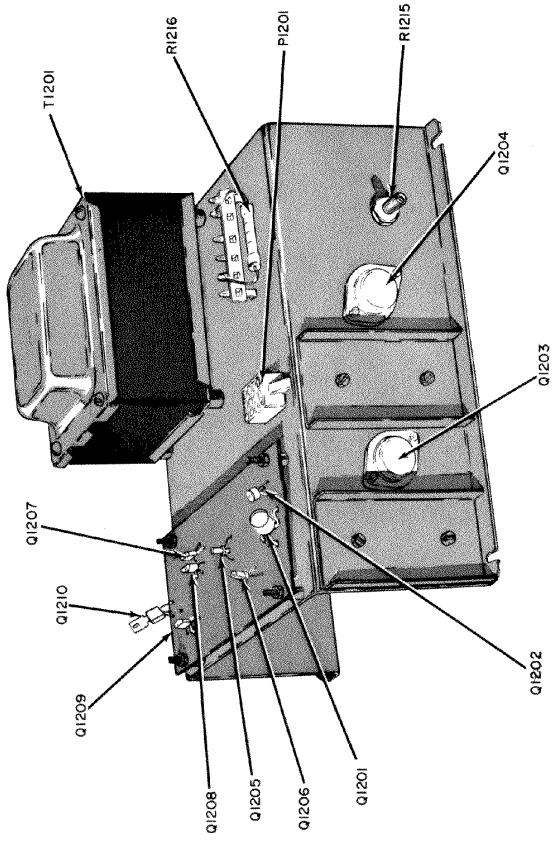
BLOCK 900 PREAMPLIFIER

Digital rendering, additions, and corrections copyright 2000 North Coast Music. All rights reserved, unauthorized duplication or resale strictly prohibited.



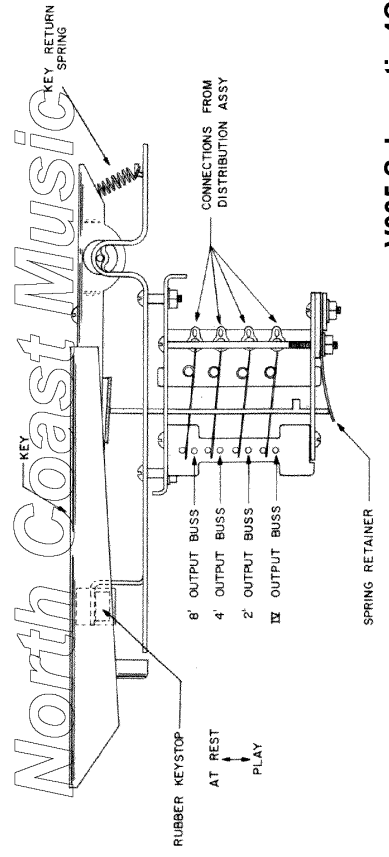
"A"

POWER SUPPLY DETAIL

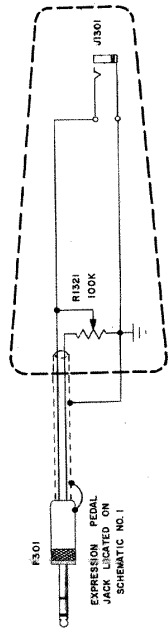


Digital rendering, additions, and corrections copyright 2000 North Coast Music. All rights reserved, unauthorized duplication or resale strictly prohibited.

ACCOMPANIMENT KEYSWITCH ACTION

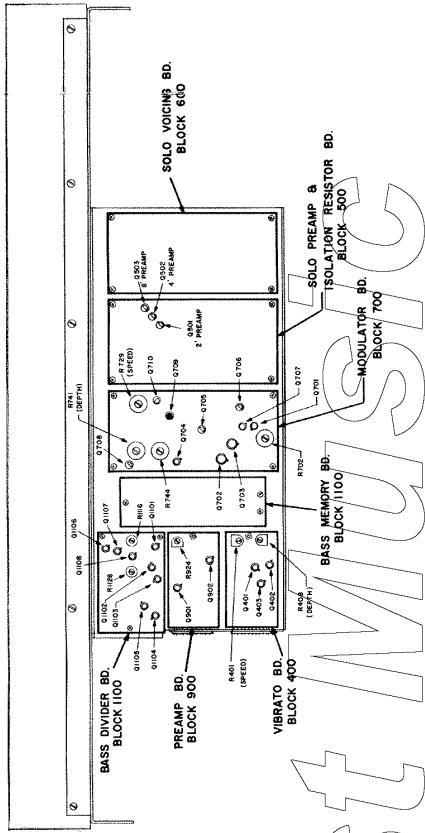


V305 Schematic 4C



(FOR EXTERNAL AMPLIFIER)

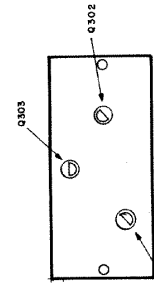
P.C. BD. & COMPONENT LOCATION DETAIL
(SHOWN WITH CONTROL PANEL RAISED)



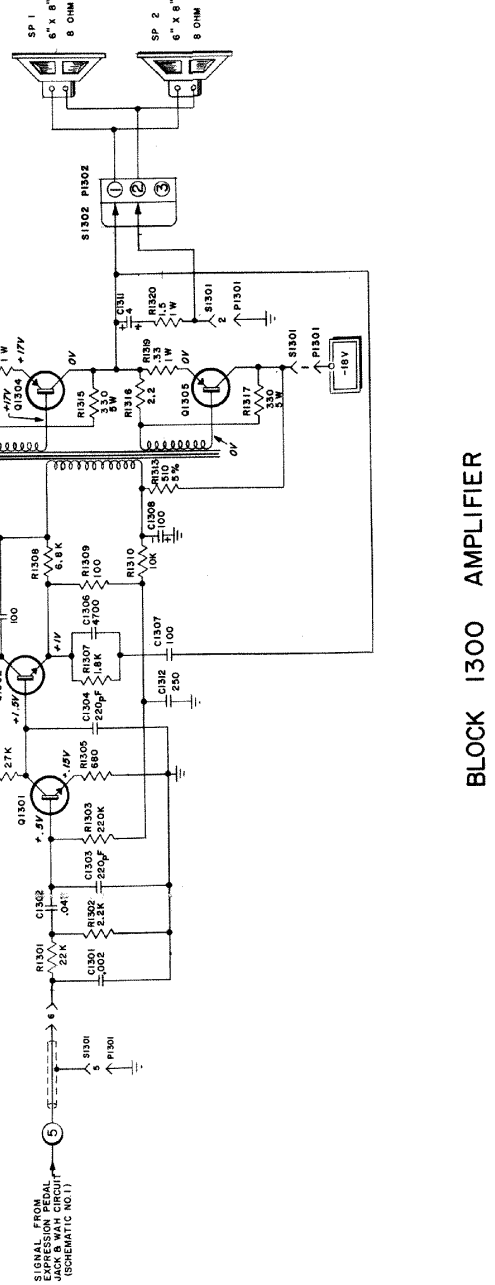
EXPRESSION PEDAL

Digital rendering, additions, and corrections copyright 2000 North Coast Music. All rights reserved, unauthorized duplication or resale strictly prohibited.

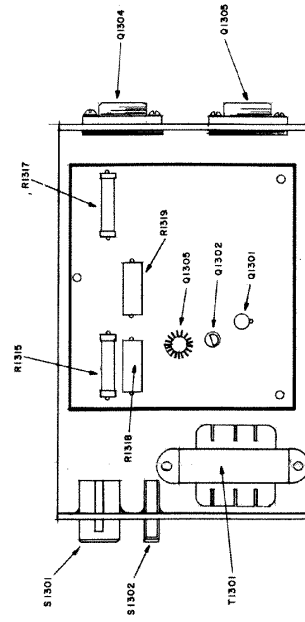
North Coast Music



BEND-WAH P.C. BD. &
COMPONENT LOCATION DETAIL

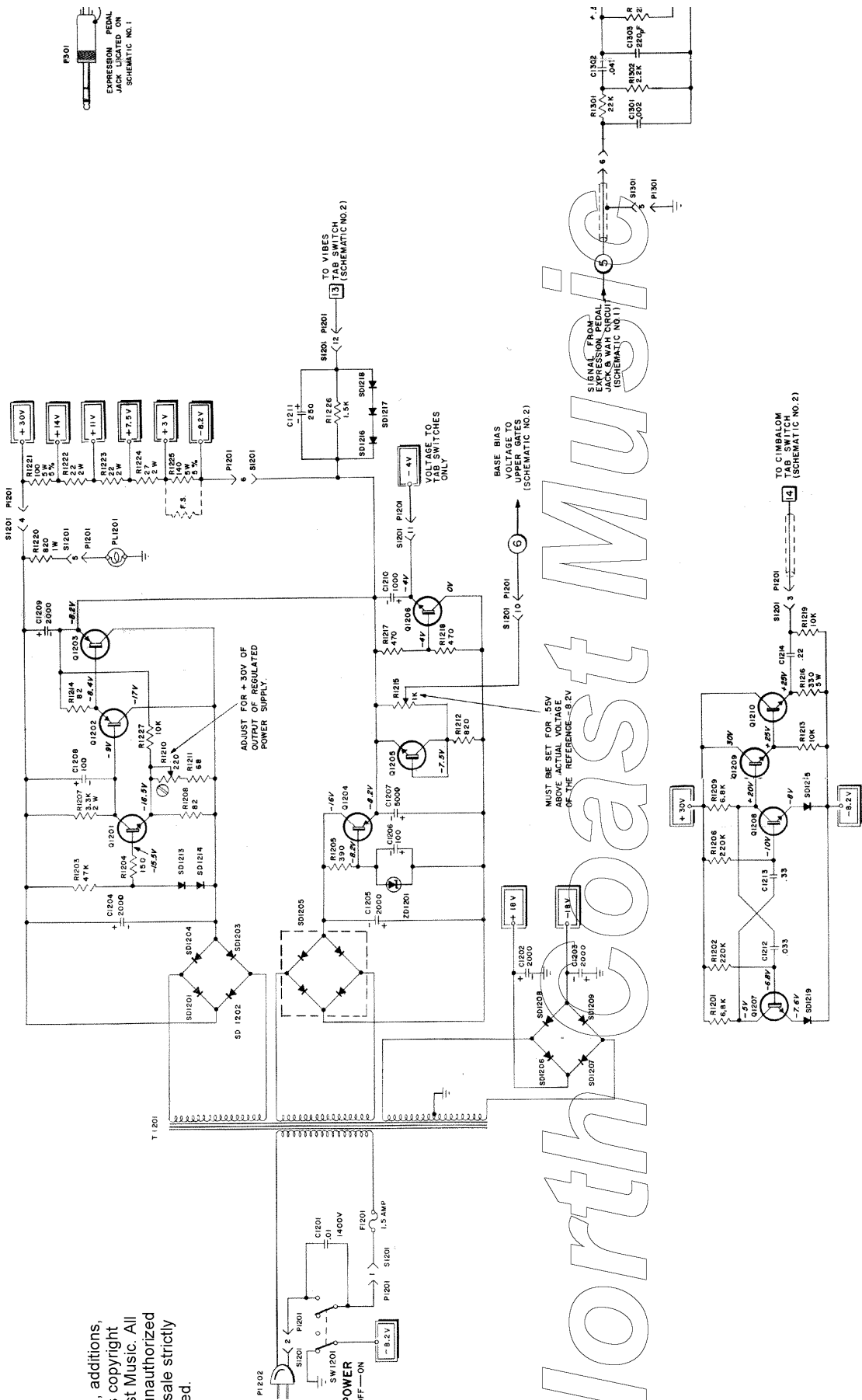
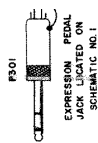


BLOCK 1300 AMPLIFIER



AMPLIFIER P.C. BD. &
COMPONENT LOCATION DETAIL

Digital rendering, additions,
and corrections copyright
© 2000 North Coast Music. All
rights reserved. Unauthorized
duplication or resale strictly
prohibited.



North Coast Music

BLOCK 1200 POWER SUPPLY

SCHEMATIC NO. 4

VOX
GUITARS • AMPLIFIERS • SOUND EQUIPMENT

CONTINENTAL BAROQUE

V305

© 1995
NATIONAL SERVICE DEPARTMENT
SEBUENA, CALIFORNIA 91140