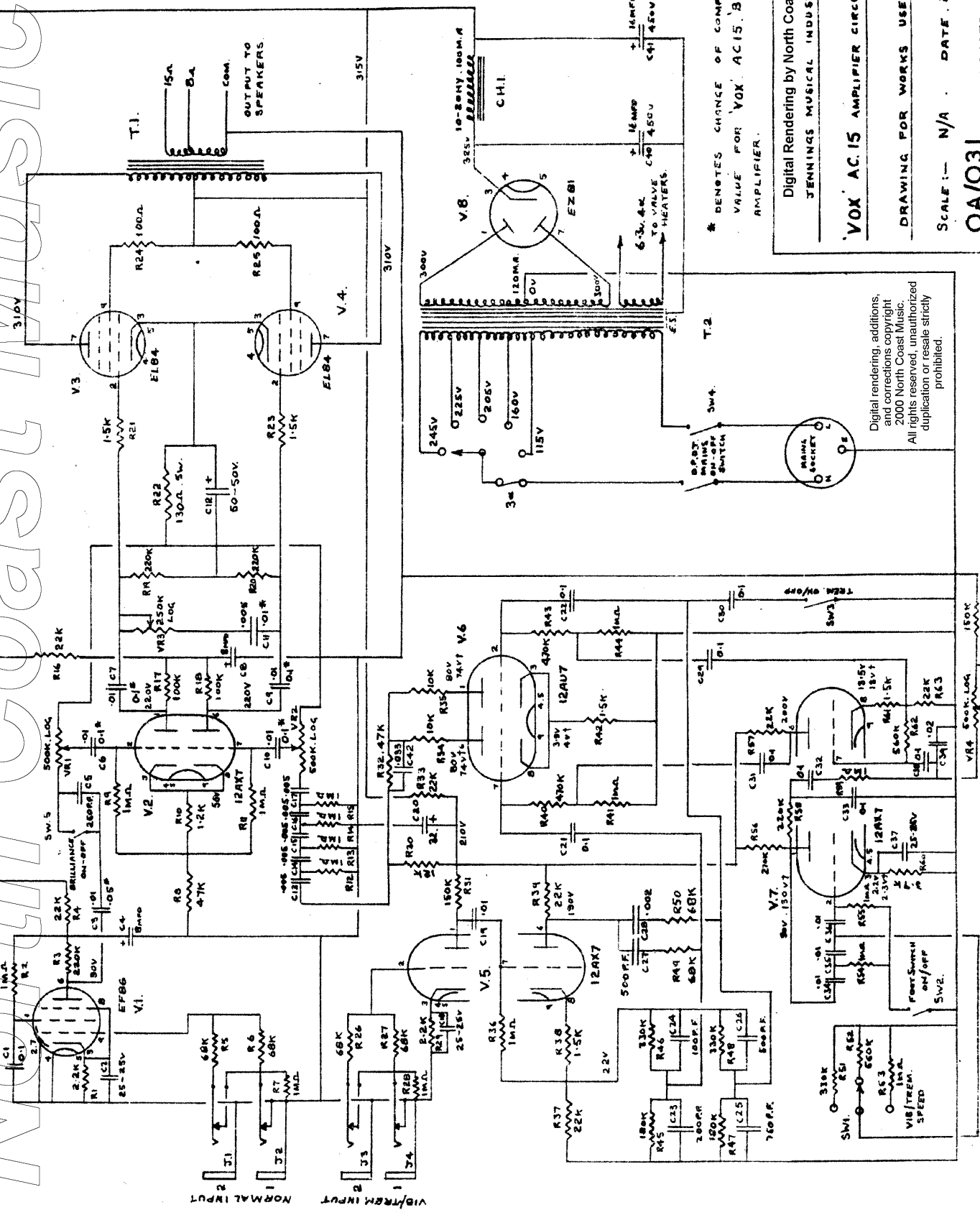


North Coast Music

MODIFICATIONS
C42 ADDED
7-2-61
C17 DELETED
R15 DELETED



* DENOTES CHANGE OF COMPONENT VALUE FOR 'VOX' AC15 'BASS' AMPLIFIER.

Digital Rendering by North Coast Music
JENNINGS MUSICAL INDUSTRIES LTD.

'VOX' AC 15 AMPLIFIER CIRCUIT N°3

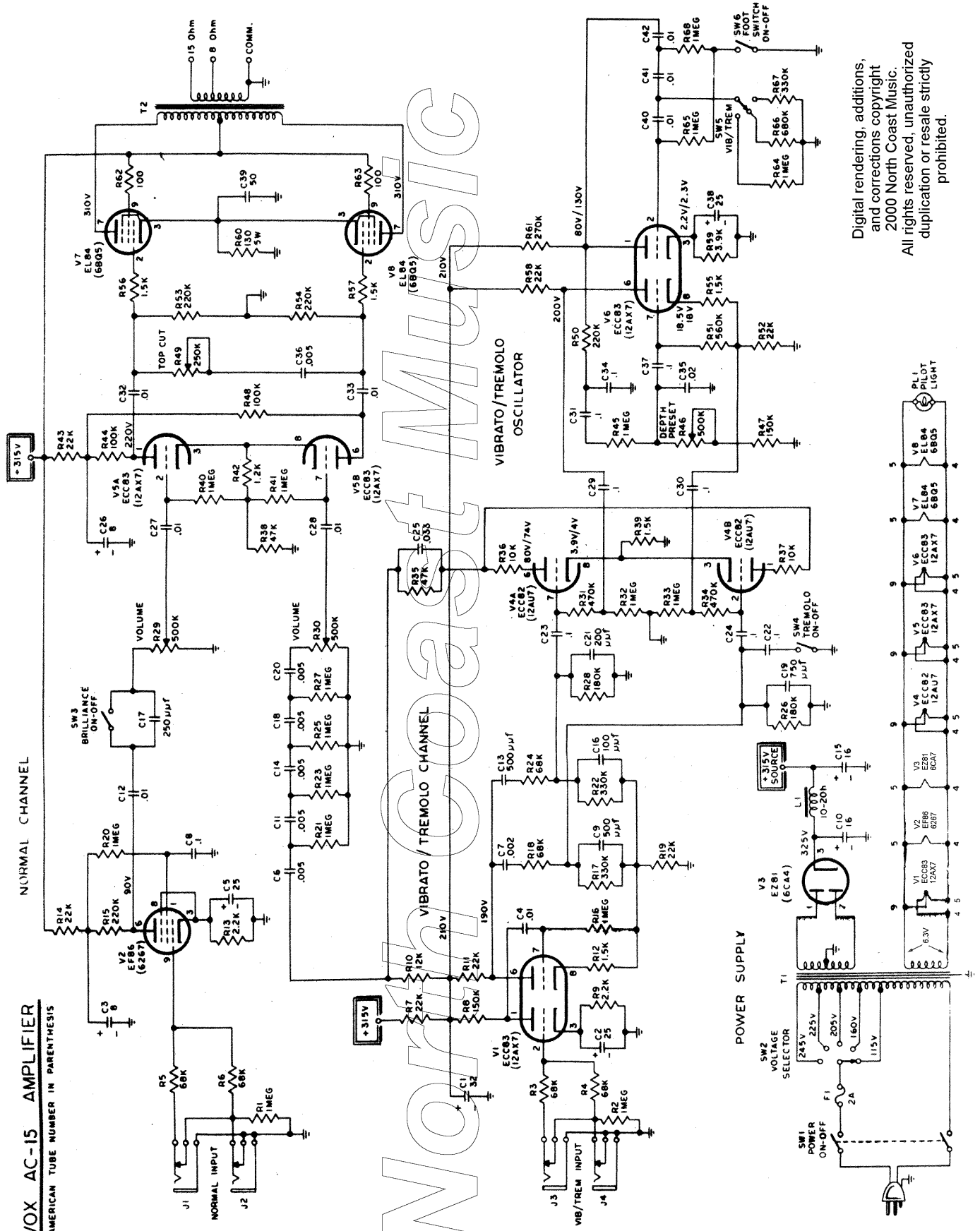
DRAWING FOR WORKS USE ONLY.

SCALE: N/A DATE: 25-4-60.

OAO/31 TRACED *DM*

Digital rendering, additions, and corrections copyright 2000 North Coast Music. All rights reserved, unauthorized duplication or resale strictly prohibited.

VOX AC-15 AMPLIFIER
 AMERICAN TUBE NUMBER IN PARENTHESIS



Digital rendering, additions,
 and corrections copyright
 2000 North Coast Music.
 All rights reserved, unauthorized
 duplication or resale strictly
 prohibited.