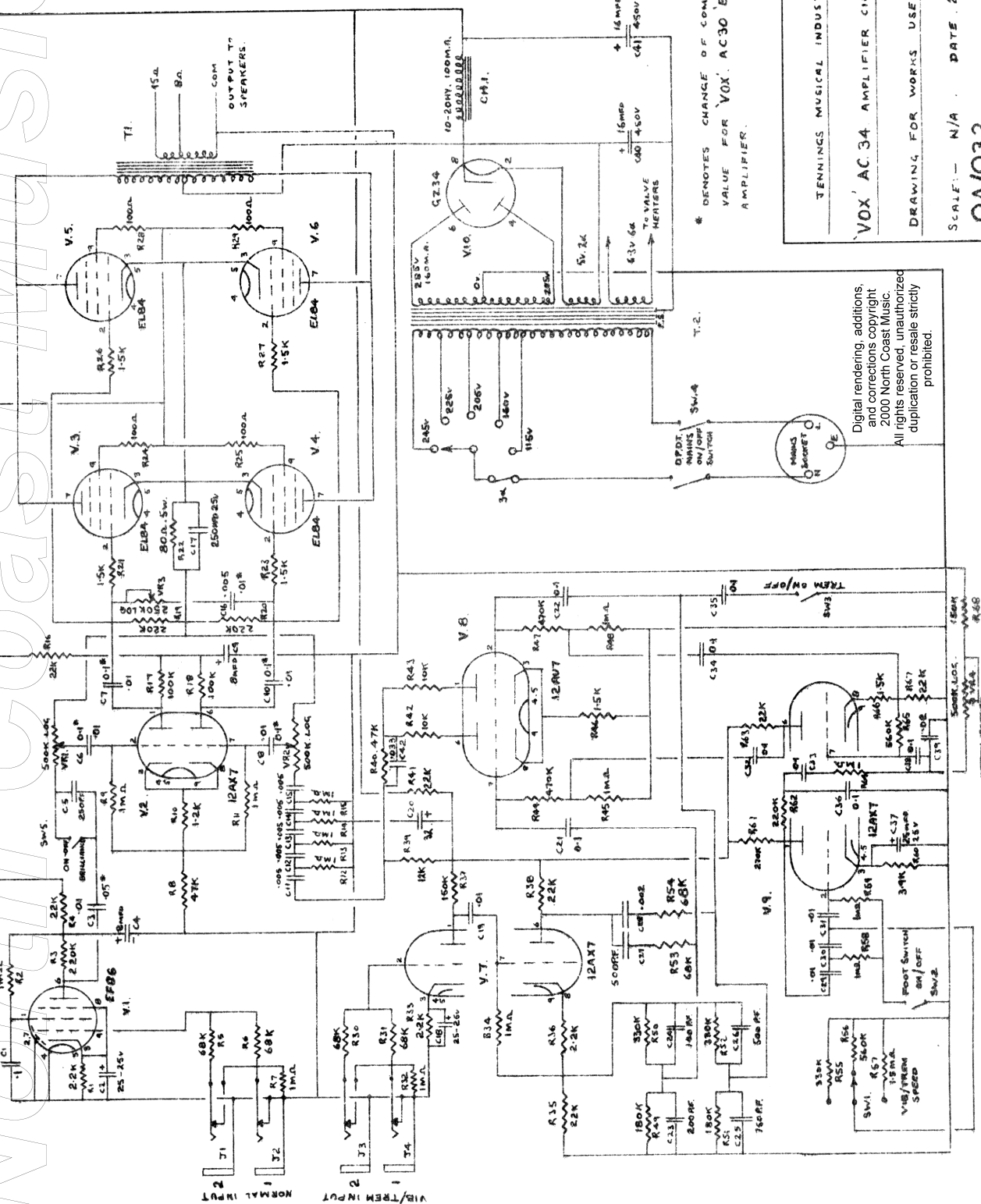


MODIFICATION
C42 ADDED
7-2-61

North Coast Music



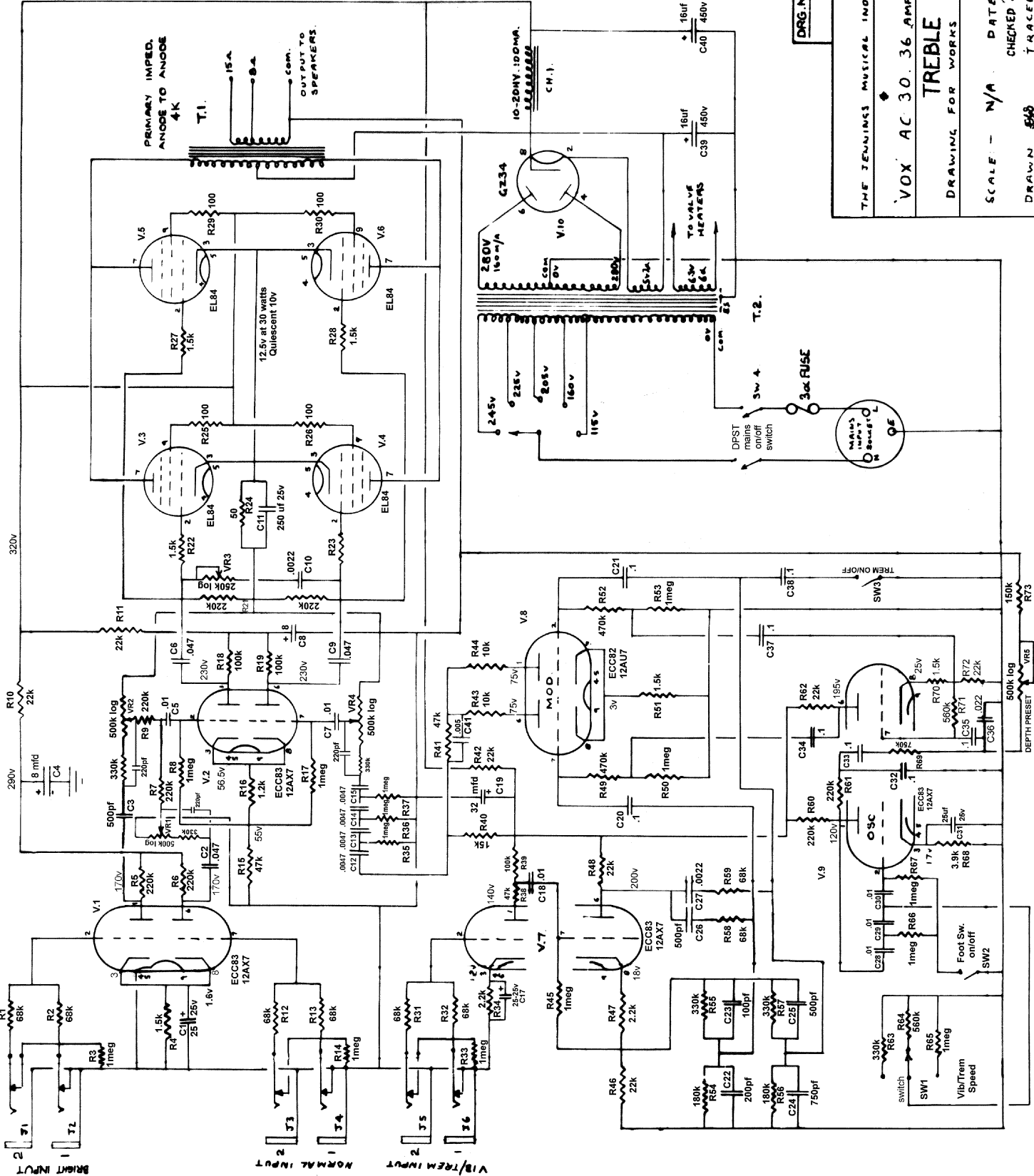
* DENOTES CHANGE OF COMPONENT VALUE FOR 'VOX' AC30 'BASS' AMPLIFIER.

TENNINGS MUSICAL INDUSTRIES LTD
 'VOX' AC 34 AMPLIFIER CIRCUIT
 2000 North Coast Music.
 DRAWING FOR WORKS USE ONLY.
 SCALE: N/A DATE 25-4-60
 OAI032 TRACED. *Dot*

Digital rendering, additions, and corrections copyright 2000 North Coast Music. All rights reserved, unauthorized duplication or resale strictly prohibited.

Digital remastering, corrections, and clarifications copyright 2000 North Coast Music. All rights reserved, no unauthorized duplication or resale allowed.

North Coast Music



DRG. NO. **OS/056**

THE JENNINGS MUSICAL INDUSTRIES LTD.

VOX AC 30.36 AMPLIFIER CIRCUIT

TREBLE

DRAWING FOR WORKS USE ONLY

SCALE - N/A DATE 10-9-64
 CHECKED *David Penny*
 DRAWN *568* TRACED *BS*

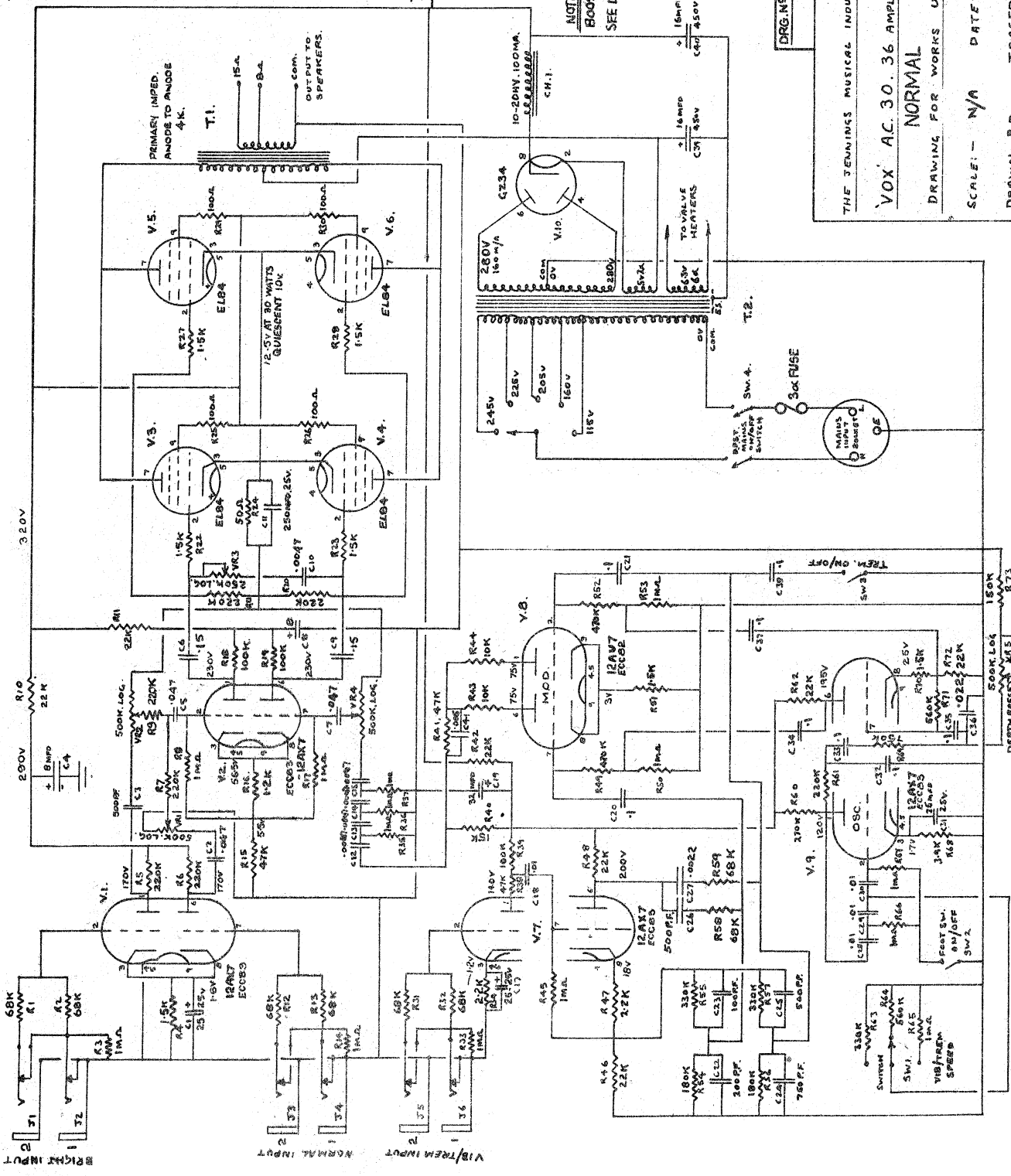
MODIFICATIONS

C-41 ADDED

- 7 - 2 - 61
- R4 WAS 2.2K
- R5 " 100K
- R6 " 100K
- R7 " 270K
- R8 " 270K
- R9 " 150K
- R10 " 150K
- R11 " 150K
- R12 " 150K
- R13 " 150K
- R14 " 150K
- R15 " 150K
- R16 " 150K
- R17 " 150K
- R18 " 150K
- R19 " 150K
- R20 " 150K
- R21 " 150K
- R22 " 150K
- R23 " 150K
- R24 " 150K
- R25 " 150K
- R26 " 150K
- R27 " 150K
- R28 " 150K
- R29 " 150K
- R30 " 150K
- R31 " 150K
- R32 " 150K
- R33 " 150K
- R34 " 150K
- R35 " 150K
- R36 " 150K
- R37 " 150K
- R38 " 150K
- R39 " 150K
- R40 " 150K
- R41 " 150K
- R42 " 150K
- R43 " 150K
- R44 " 150K
- R45 " 150K
- R46 " 150K
- R47 " 150K
- R48 " 150K
- R49 " 150K
- R50 " 150K
- R51 " 150K
- R52 " 150K
- R53 " 150K
- R54 " 150K
- R55 " 150K
- R56 " 150K
- R57 " 150K
- R58 " 150K
- R59 " 150K
- R60 " 150K
- R61 " 150K
- R62 " 150K
- R63 " 150K
- R64 " 150K
- R65 " 150K
- R66 " 150K
- R67 " 150K
- R68 " 150K
- R69 " 150K
- R70 " 150K
- R71 " 150K
- R72 " 150K
- R73 " 150K
- R74 " 150K
- R75 " 150K
- R76 " 150K
- R77 " 150K
- R78 " 150K
- R79 " 150K
- R80 " 150K
- R81 " 150K
- R82 " 150K
- R83 " 150K
- R84 " 150K
- R85 " 150K
- R86 " 150K
- R87 " 150K
- R88 " 150K
- R89 " 150K
- R90 " 150K
- R91 " 150K
- R92 " 150K
- R93 " 150K
- R94 " 150K
- R95 " 150K
- R96 " 150K
- R97 " 150K
- R98 " 150K
- R99 " 150K
- R100 " 150K

NOTE ADDED.

155-2-14-63 MT.
 R74 DELETED
 R74 WAS 80Ω
 USE MOD.
 280V RMS 285V
 TITLE CHANGE
 1953-11-10-63 MT.
 NORMAL ADDED
 155-4-11-9-64 ZRS.

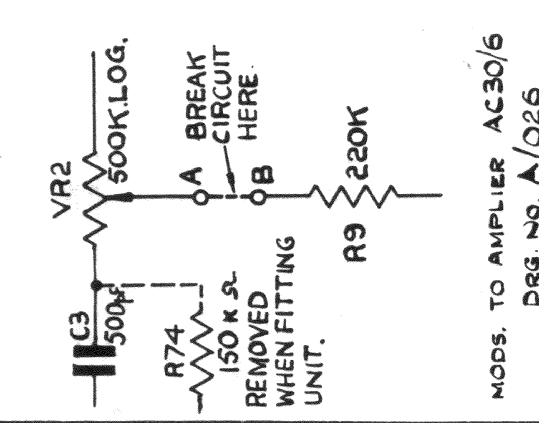


DRG. NO. 05/065

THE JENNINGS MUSICAL INDUSTRIES LTD.
 VOX AC 30.36 AMPLIFIER CIRCUIT
 NORMAL
 DRAWING FOR WORKS USE ONLY.
 SCALE: - N/A DATE 29-4-60.
 DRAWN. B.D. TRACED. DM

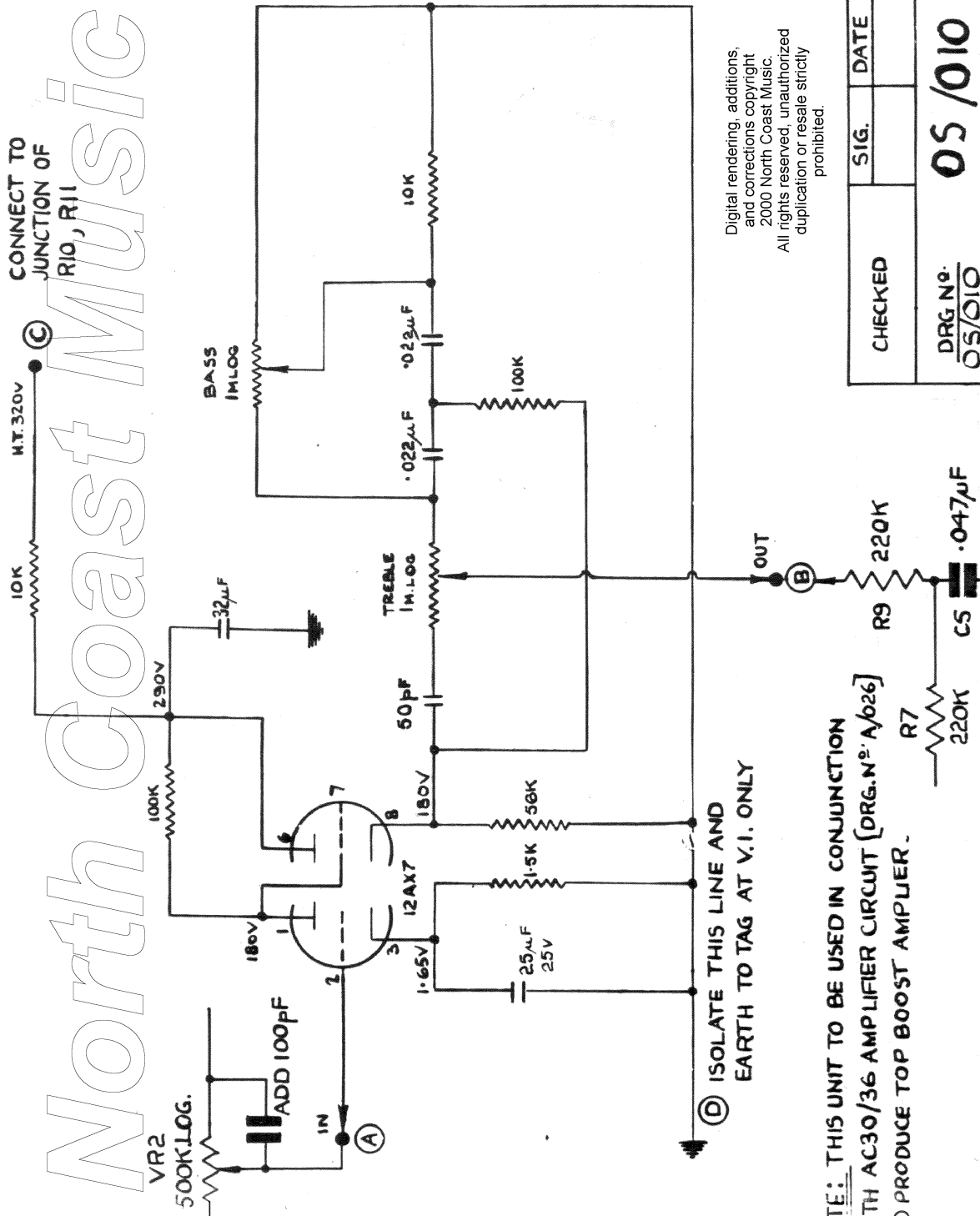
North Coast Music

CONNECT TO JUNCTION OF R10, R11



MODS. TO AMPLIFIER AC30/6
 DRG. NO. A/O26

CONNECT HEATERS TO V.2.



ⓐ ISOLATE THIS LINE AND EARTH TO TAG AT V.1. ONLY

NOTE: THIS UNIT TO BE USED IN CONJUNCTION WITH AC30/36 AMPLIFIER CIRCUIT [DRG. N^o. A/b26] TO PRODUCE TOP BOOST AMPLIFIER.

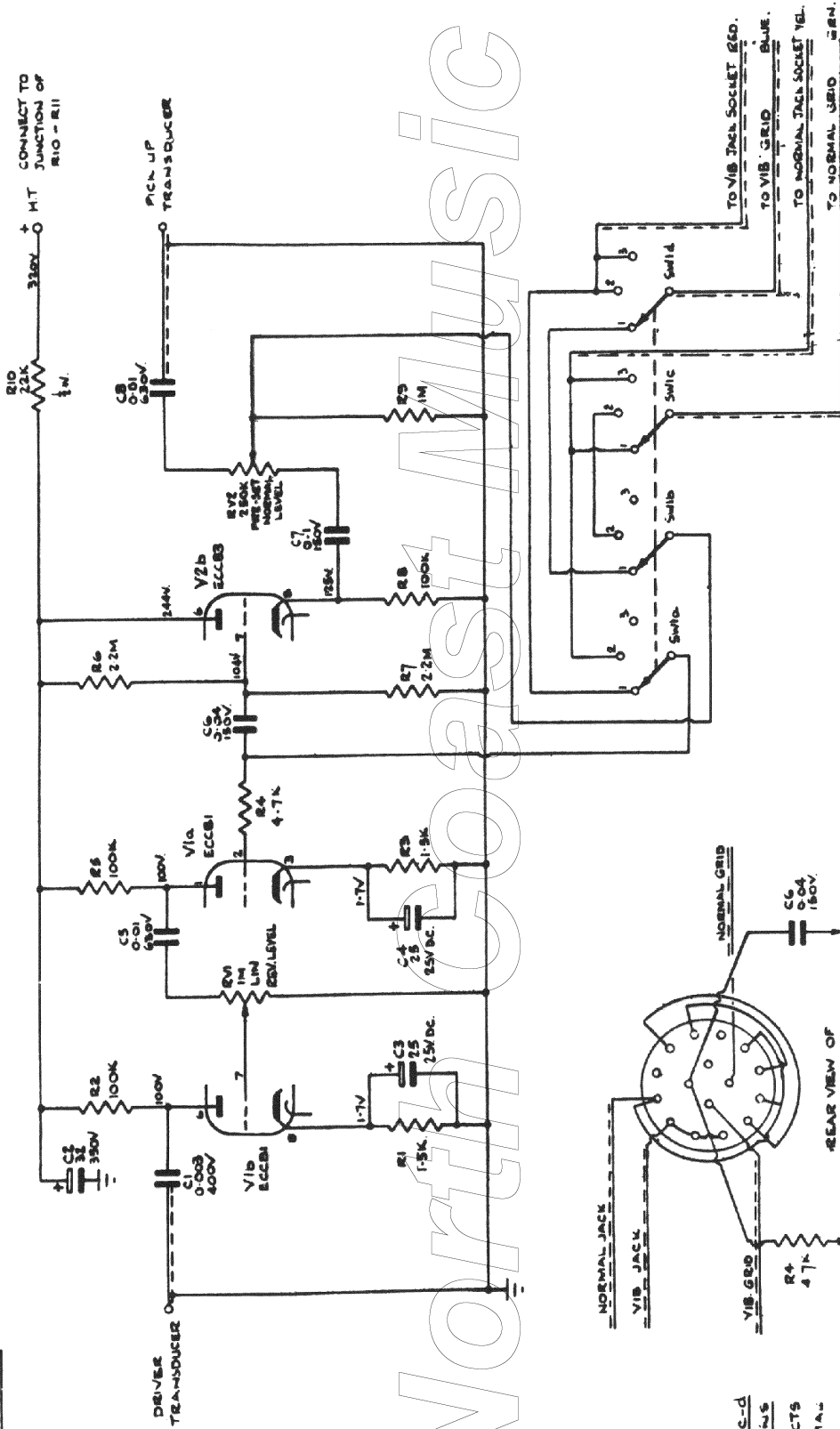
Digital rendering, additions, and corrections copyright 2000 North Coast Music. All rights reserved. Unauthorized duplication or resale strictly prohibited.

CHECKED	SIG.	DATE

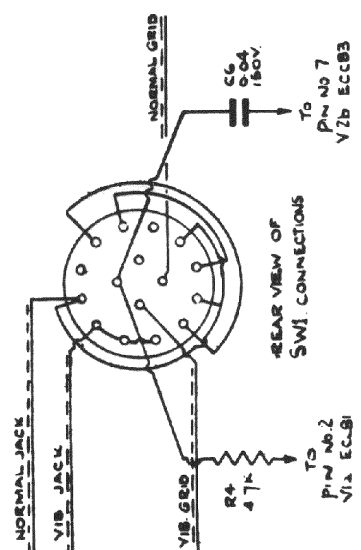
DRG. N^o. **OS/O10**

VOLTAGES & PIN NOS ADDED	3	157.68
NOTE ADDED: .022uF CAP. WAS .03uF VALUE.	2	14.63
CHANGES	1	1/26/61
ISSUE DATE APP ²		
JENNINGS MUSICAL INDUSTRIES		
OPTIONAL BRILLIANCE UNIT AND CONNECTIONS TO AC30/6 (CIRCUIT)		
DRAWN: J Bell 11.12.61		

DES. NO
05/075



Digital rendering, corrections, and additions copyright 2000 North Coast Music. All rights reserved, all unauthorized duplication or resale prohibited.



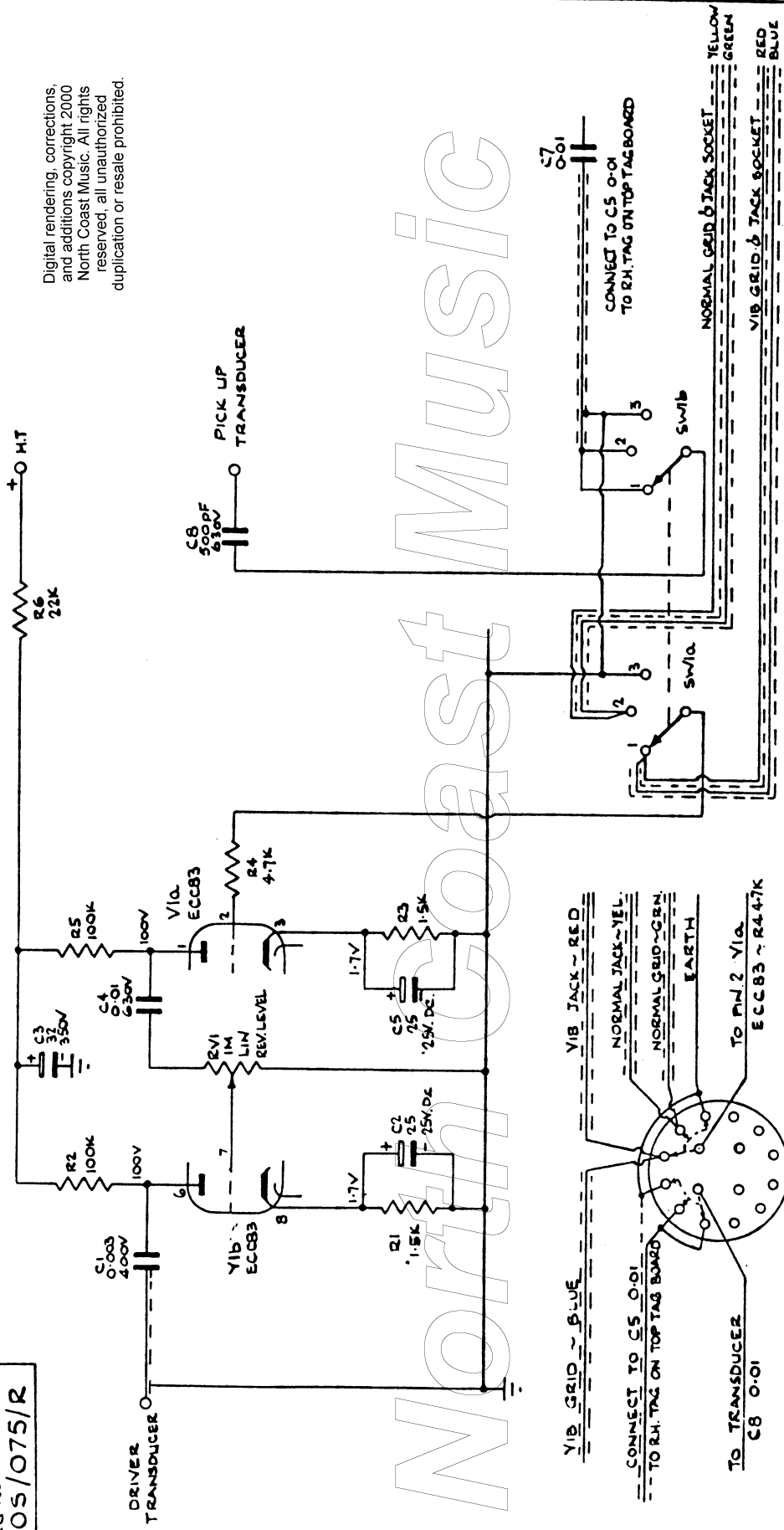
- SW1-D-B-C-d
POSITIONS
1 EFFECTS
2 NORMAL
3 OFF

SCALE	TIT. E.	DRN	DATE
MATH	REVERB CCT.	CHK	1.2.14/65
FIN	(ADD ON TYPE)	APP	
TOL	JENNINGS MUSICAL INDUSTRIES LTD	DES. NO	05/075
	DARTFORD, KENT.		

ALL RESISTORS IN OHMS UNLESS OTHERWISE STATED.
ALL CAPACITORS IN MFDS "

PRG NO
OS/075/R

Digital rendering, corrections,
and additions copyright 2000
North Coast Music. All rights
reserved, all unauthorized
duplication or resale prohibited.



REAR VIEW OF
SW1A CONNECTIONS

9	7	5	3	1
REV	REV	REV	REV	REV
1.65	1.65	1.65	1.65	1.65
CHANGES	2	1	1	1
SCALE	14-10-65	14-10-65	14-10-65	14-10-65
MAT.				
FIN.				
TOL.				

TITLE:-
REVERB CCT. (REVISED)
~ ADD ON TYPE ~
JENNINGS MUSICAL INDUSTRIES LTD.
DARTFORD KENT.

DRN J.E. Ferguson
CHK
APP.
DQ3 No. OS/075/R