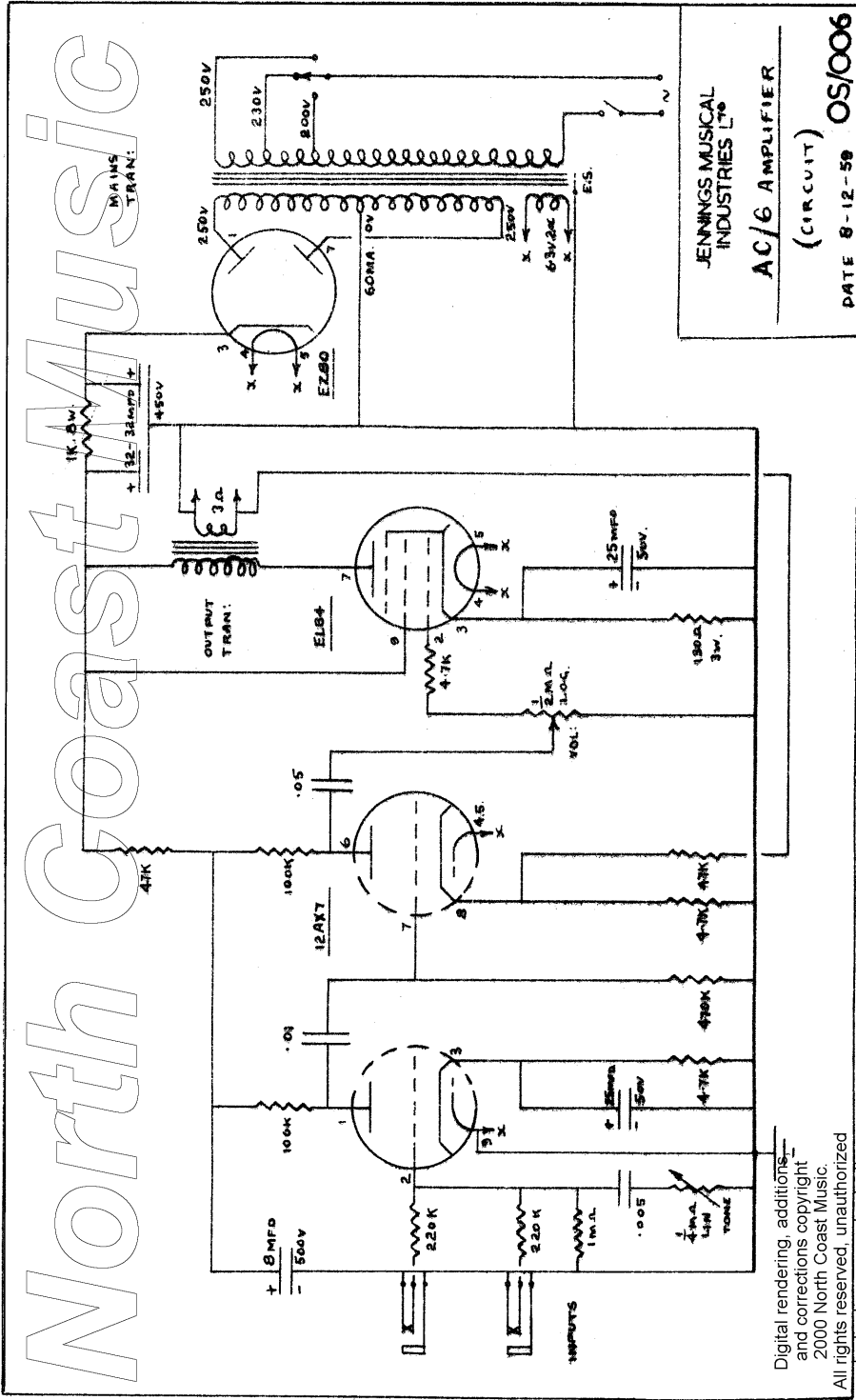
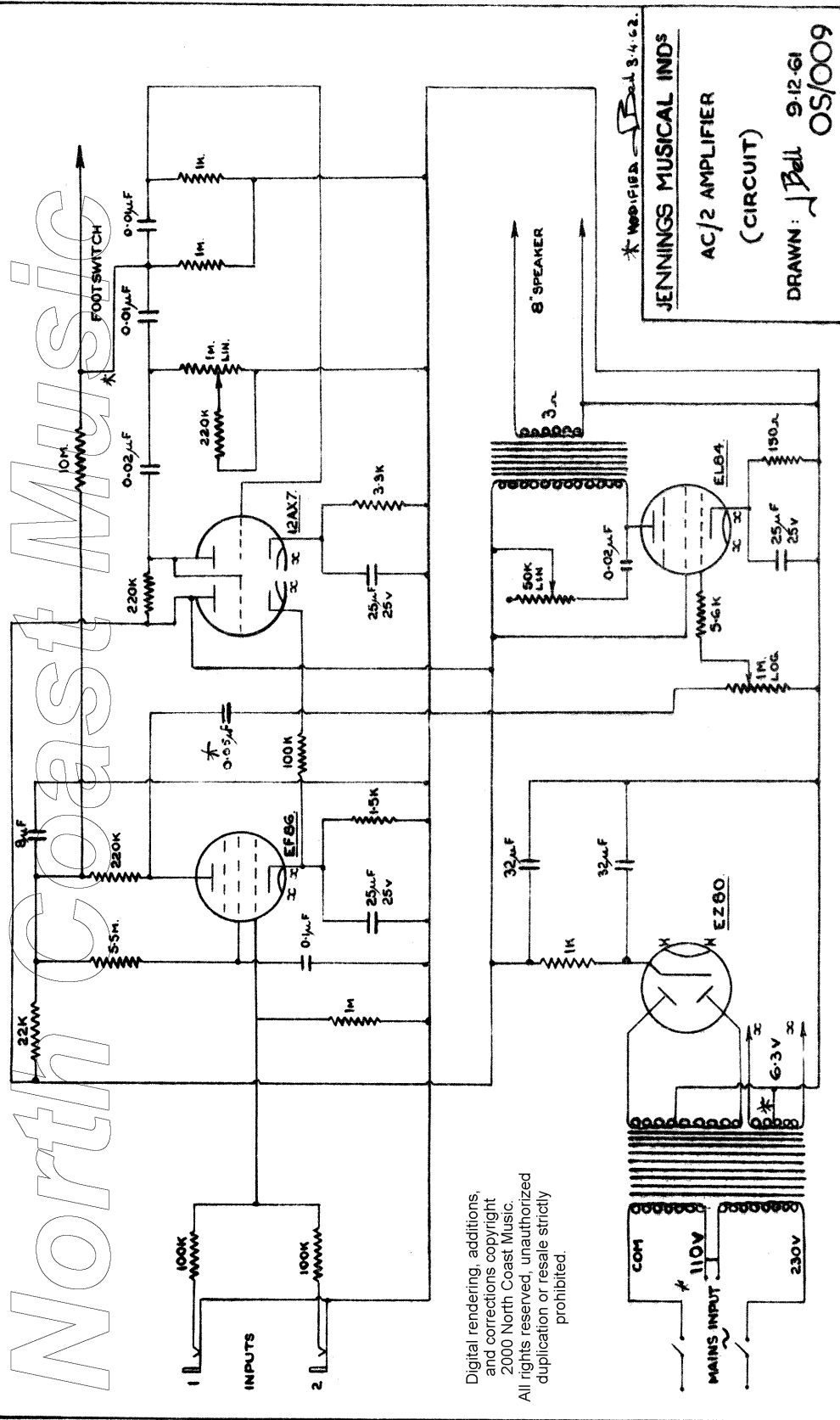


North Coast Music



Digital rendering, additions,
and corrections copyright
© 2000 North Coast Music.
All rights reserved. Unauthorized
application or resale strictly
prohibited.

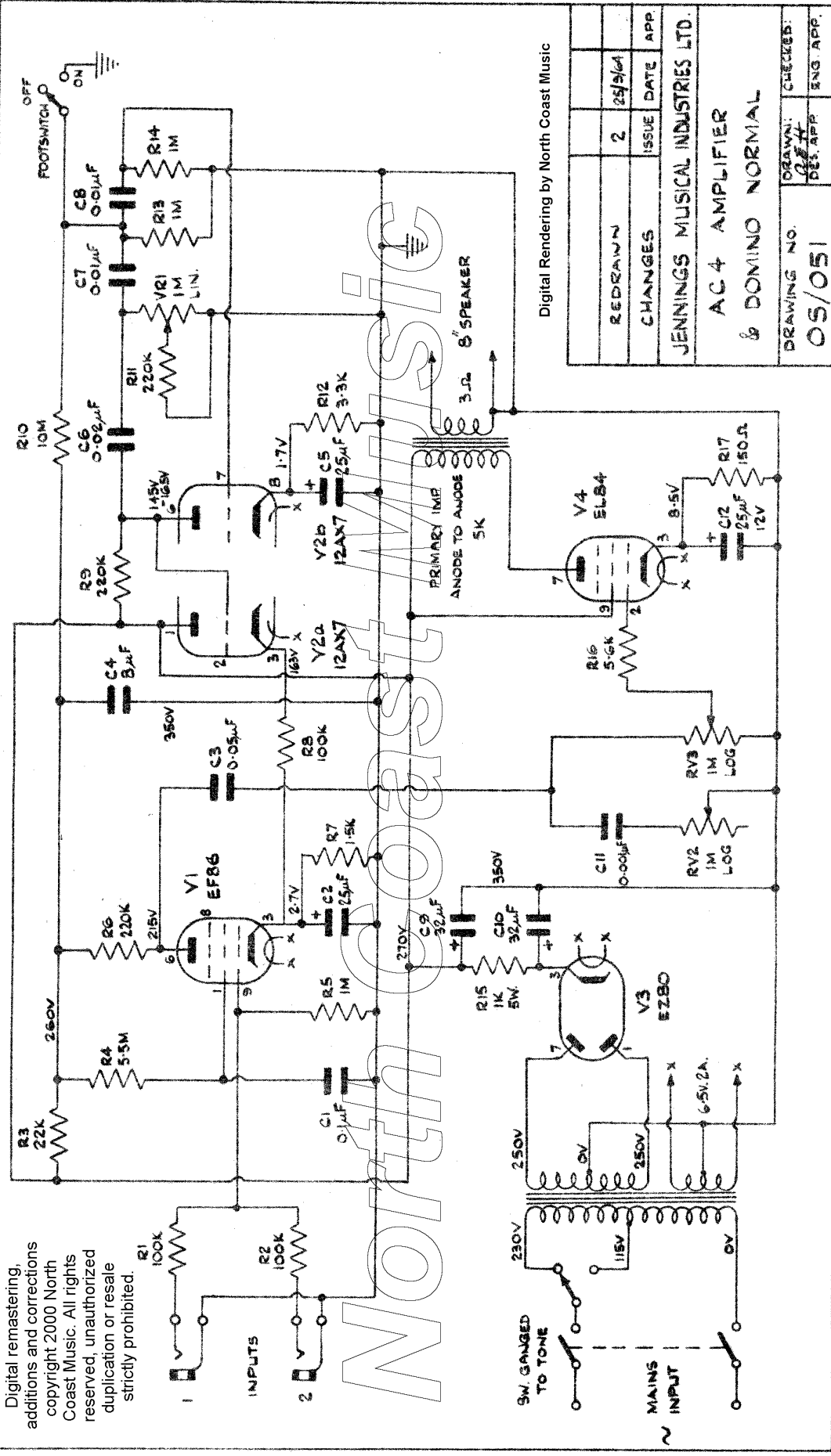


* MODIFIED Bell 8.4.62.
JENNINGS MUSICAL INDS
AC/2 AMPLIFIER
(CIRCUIT)
 DRAWN: J Bell 9-12-61
 OS/009

Digital rendering, additions,
 and corrections copyright
 2000 North Coast Music.
 All rights reserved, unauthorized
 duplication or resale strictly
 prohibited.

North Coast Music

Digital remastering, additions and corrections copyright 2000 North Coast Music. All rights reserved, unauthorized duplication or resale strictly prohibited.



North Coast Music

Digital Rendering by North Coast Music

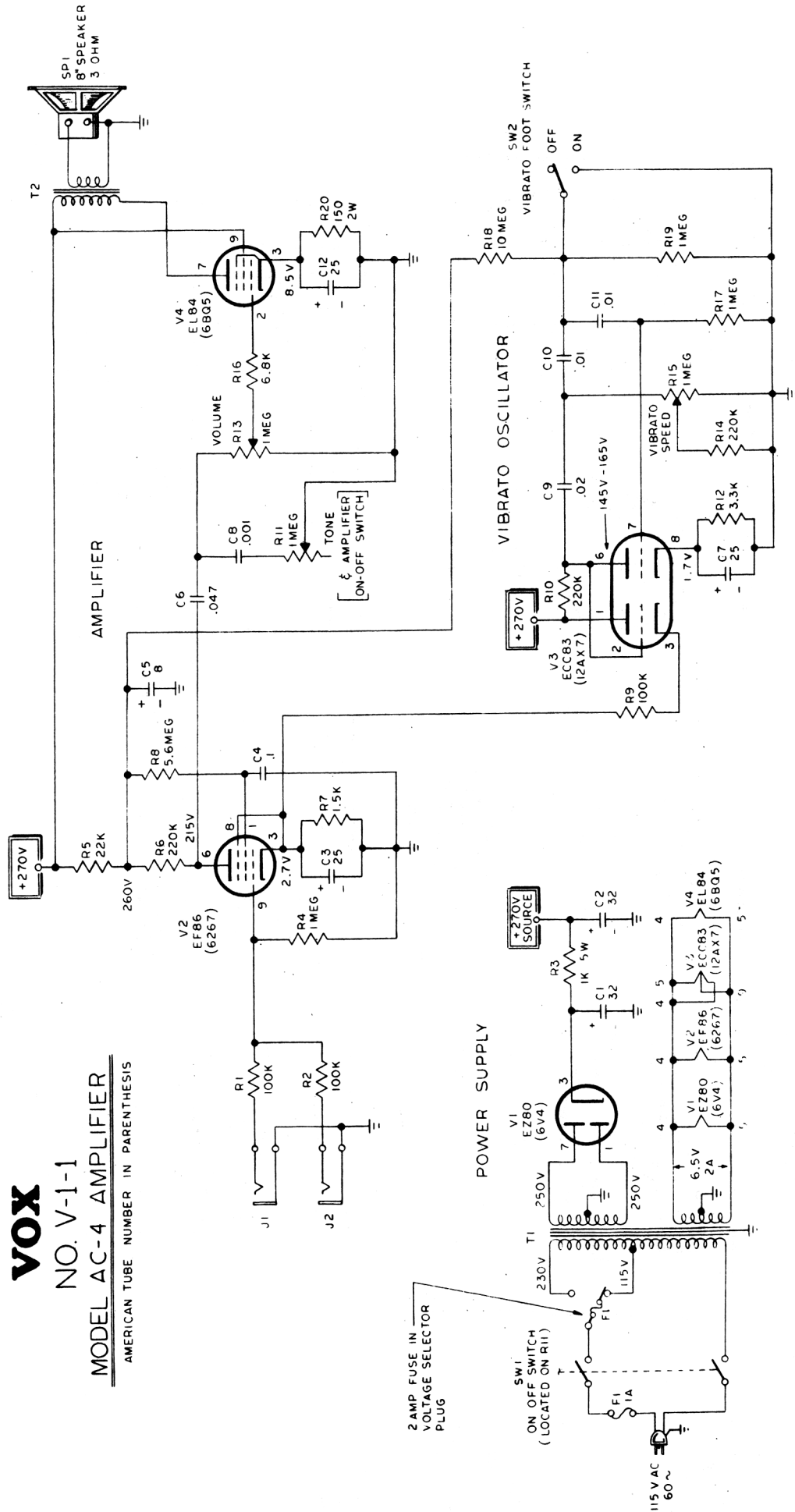
REDRAWN	2	25/8/64	ISSUE	DATE	APP
CHANGES					
JENNINGS MUSICAL INDUSTRIES LTD.					
AC 4 AMPLIFIER					
© DOMINO NORMAL					
DRAWING NO.	05/051	CHECKED	DRAWN	DES. APP.	ENG. APP.

VOX

NO. V-1-1

MODEL AC-4 AMPLIFIER

AMERICAN TUBE NUMBER IN PARENTHESIS



AC-4 TUBE LAYOUT

