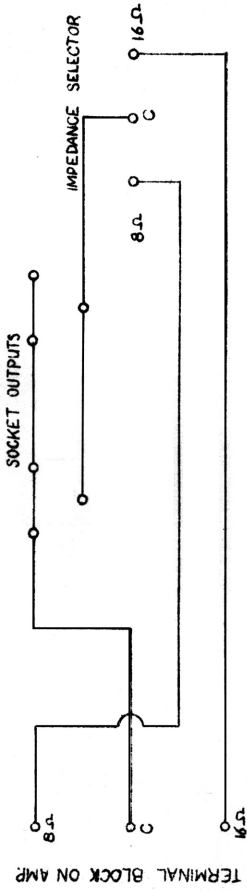


CHANGES  
 ISSUE DATE 1954  
 JENNINGS MUSICAL INDUSTRIES LIMITED  
 DRAWING NO. OS/053  
 C. M. G. 1954  
 C. M. G. 1954

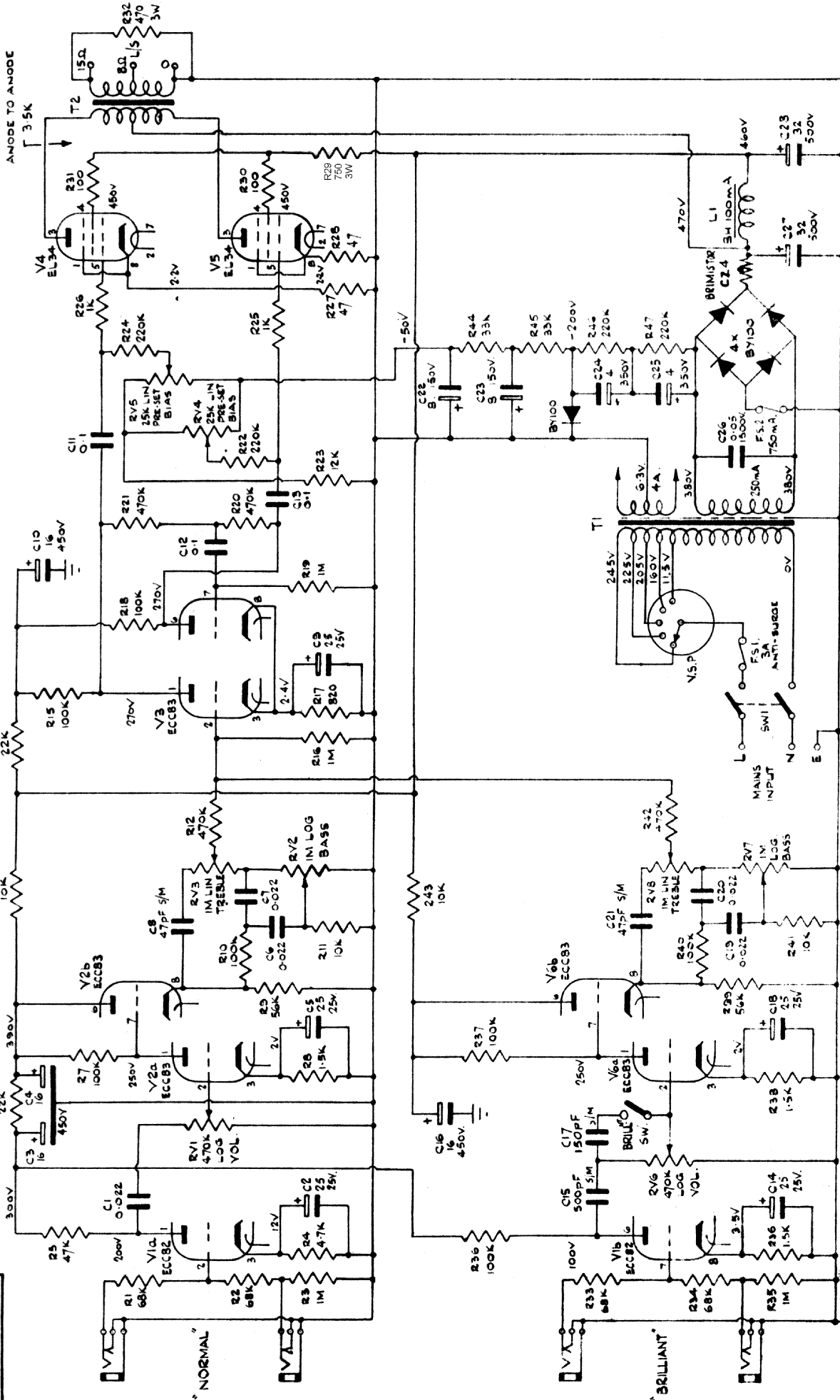
CIRCUIT  
 FOR  
 AC 50/2 AMPLIFIER

MATERIAL	SCALE
FINISH	TOLERANCE



CHANGES	ISSUE	DATE	APP
JENNINGS MUSICAL INDUSTRIES LTD			
AC 50/2			
OUTPUT SOCKET CONNECTIONS			
DRAWING N <sup>o</sup>	DRAWN	CHECKED	
OS./054.	DES. APP.	ENG. APP.	

DES. NO.  
OS/072



R15 & R16 TO BE HIGH STABILITY.  
BIAS SETTING - ADJUST TO GIVE 2.2V DC ACROSS THE 470K POT-TOE

RESISTORS IN THE 6X4'S.

ALL RESISTORS 1W 10% UNLESS SHOWN

ALL CAPACITORS 400V POLYSTYRENE UNLESS SHOWN

ALL CAPACITORS IN MFD'S UNLESS OTHERWISE STATED.

ALL RESISTORS IN OHMS " " " " " "

SCALE	CHANGES	TITLE
1-12-65	3	A.C. 50/4 AMPLIFIER MK III
1-10-65	2	
7-1-65	1	JENNINGS MUSICAL INDUSTRIES LTD DARTFORD KENT
1-10-65	1	
1-1-65	1	

DRN	CHK	APP	PRG NO
			OS/072

NO.	DATE	DESCRIPTION
1	1-12-65	C17 WAS 100PF
2	1-10-65	GRILLISTOR ADDED
3	7-1-65	GRILLISTOR ADDED