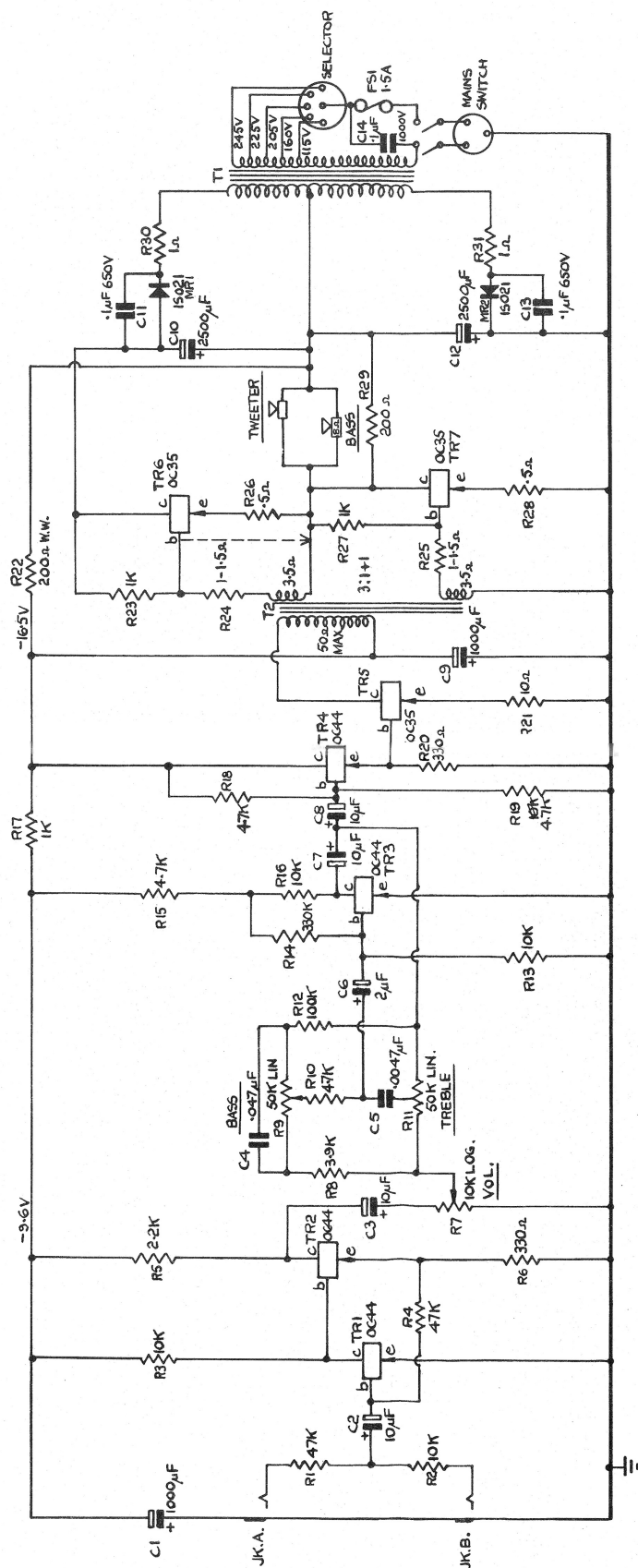


CHANGES:
 REVISION 10/19/62
 REPAIRMAN C
 EXT. MODE.
 #52 28.7.63.

36



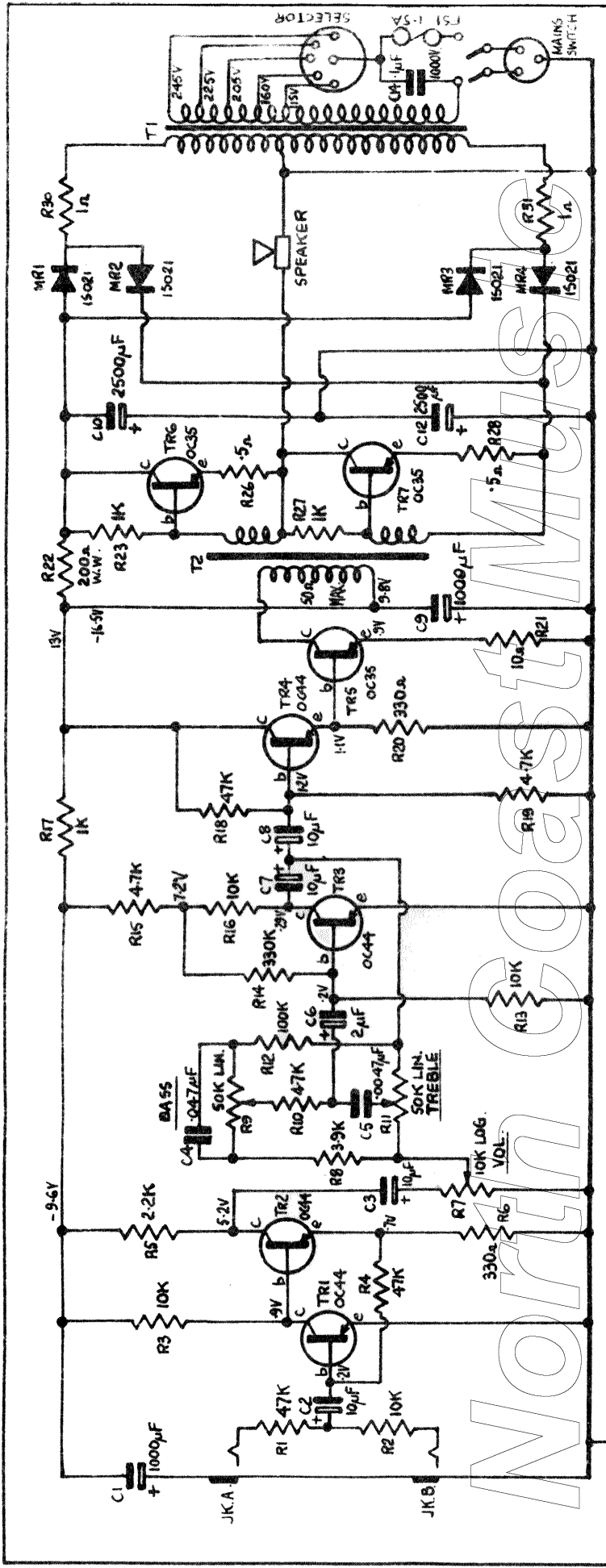
JK. DENOTES JACK SOCKET.
 E. DENOTES EARTH LINE

JENNINGS MUSICAL INDUSTRIES LTD.

CIRCUIT DIAGRAM FOR
 AMPLIFIER MODEL T60

DRG. NO.	CHKD.
A62/030	M.T.
	DES. APPR.
	ENGR APPR.

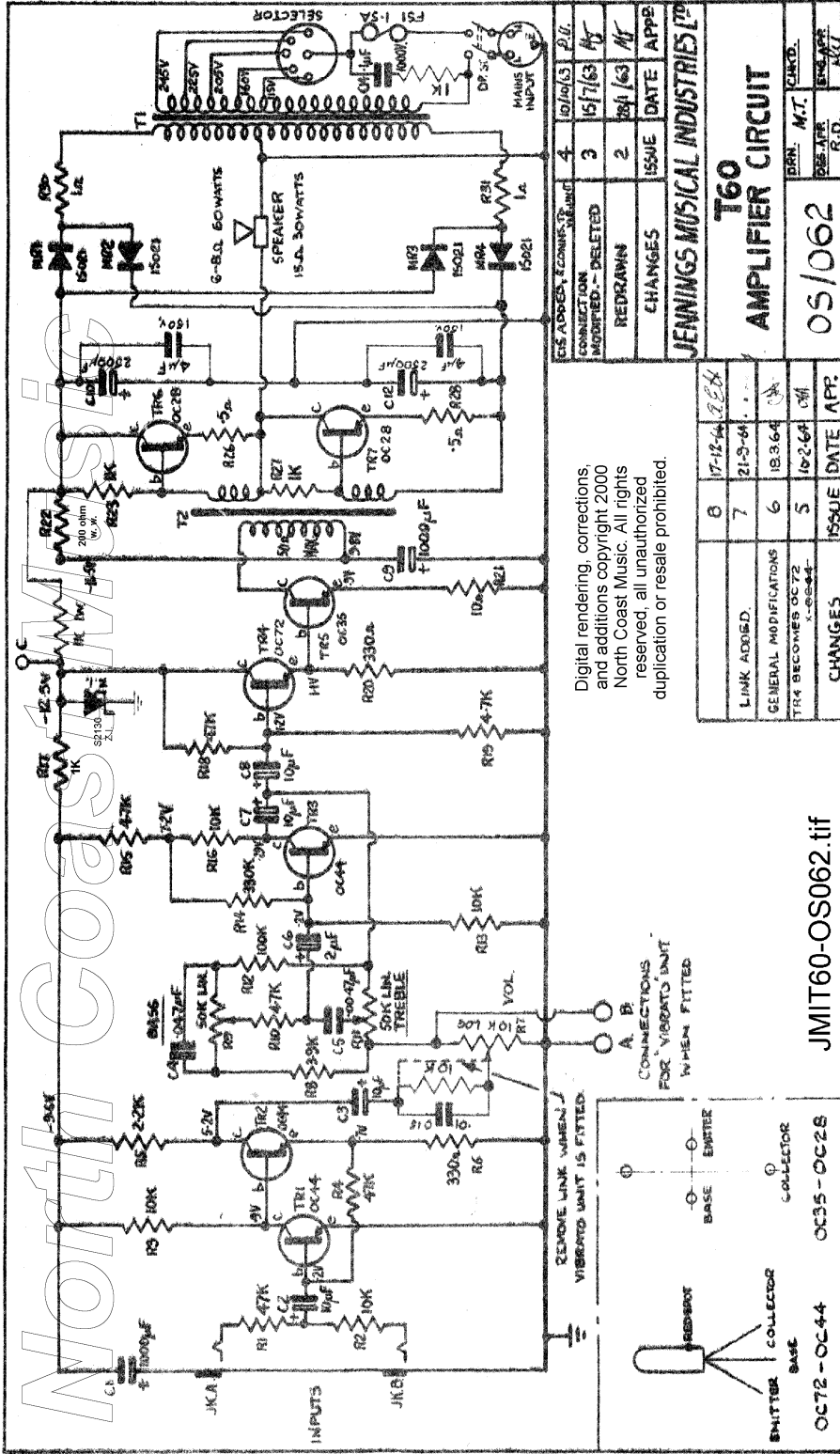
© THE HISTORY FOR HIRE PRESS L101802



REDRAWN	3	15/7/63
CHANGES	2	28/1/63
ISSUE	DATE	APPD.
JENNINGS MUSICAL INDUSTRIES LTD		
T60		
AMPLIFIER CIRCUIT		
A/027	DRN.	M.T.
	DES. APP.	ENG. APP.

L101800

Digital rendering, corrections, and additions copyright 2000 North Coast Music. All rights reserved, all unauthorized duplication or resale prohibited.



Digital rendering, corrections, and additions copyright 2000 North Coast Music. All rights reserved. All unauthorized duplication or resale prohibited.

LINK ADDED	ISSUE	DATE	APP.
6	17-12-64	REX	
7	21-3-64		
8	19-3-64		
9	16-2-64	OM	

CS ADDED, CORRECTIONS, CONNECTION	ISSUE	DATE	APP.
4	10/10/63	P.U.	
3	15/7/63	MJ	
2	28/1/63	MJ	
CHANGES			
JENNINGS MUSICAL INDUSTRIES LTD			
T60 AMPLIFIER CIRCUIT			
05/1062			
DESIGNED	BY	DATE	APP.
RESEARCH	R.D.		
ENG APPR			
CHKD			

JMIT60-OS062.tif

L101800